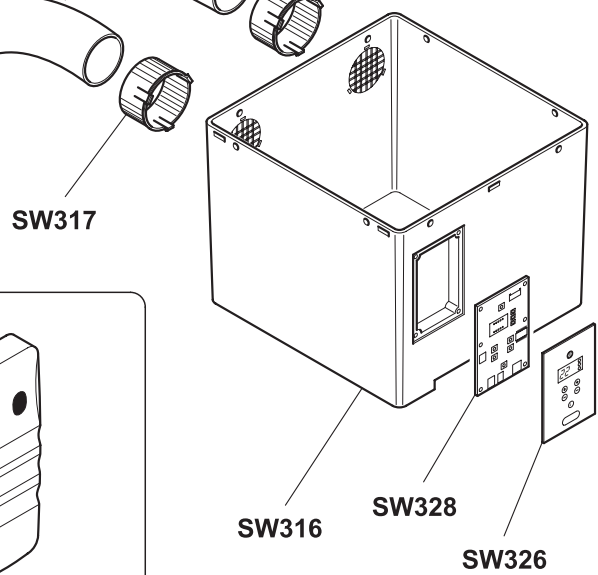
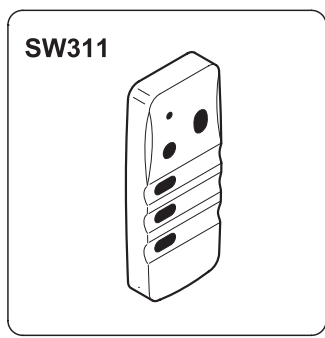
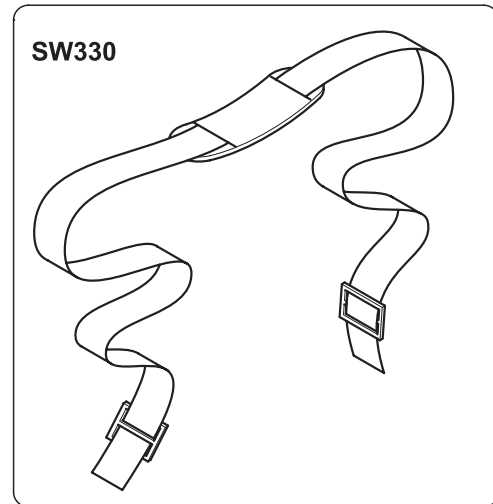
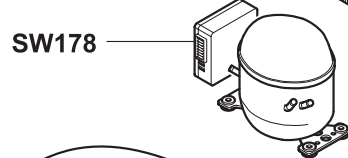
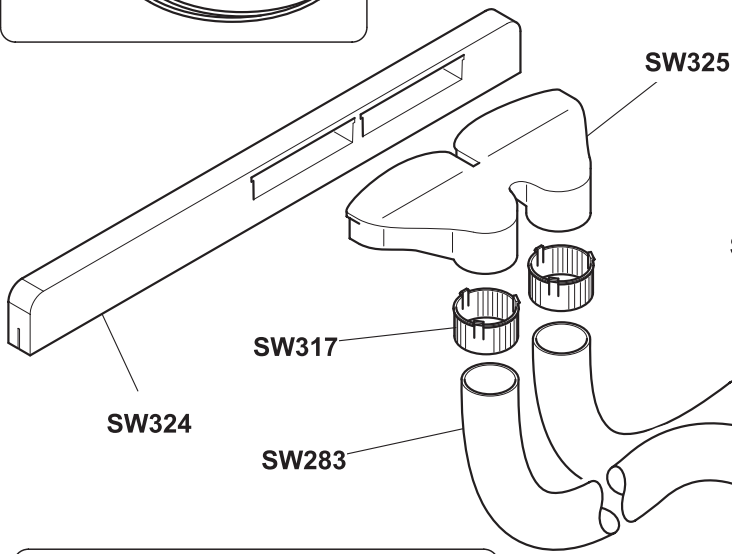
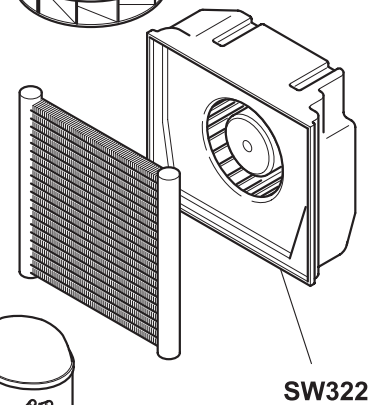
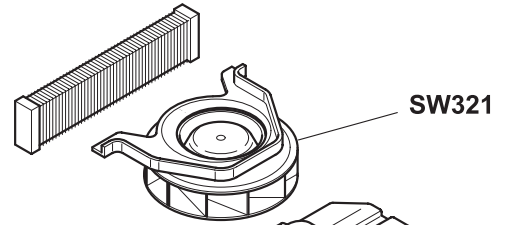
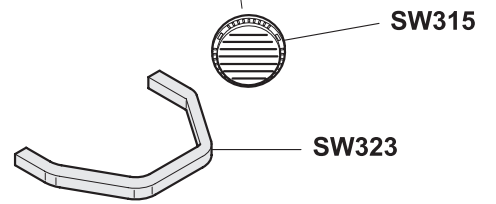
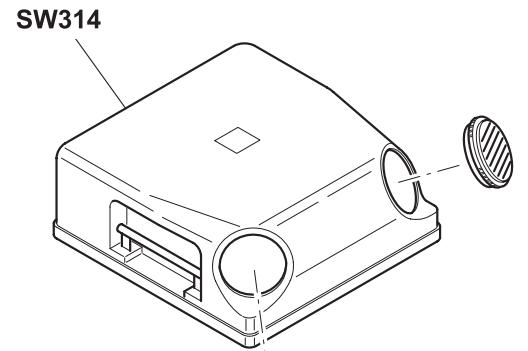
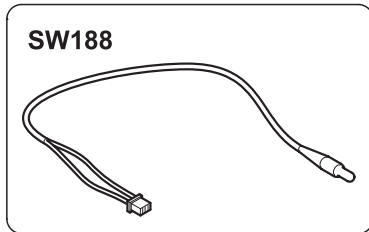
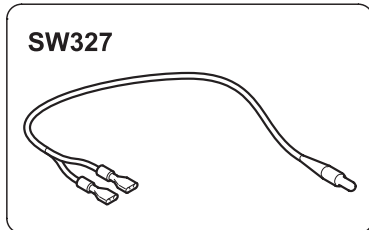
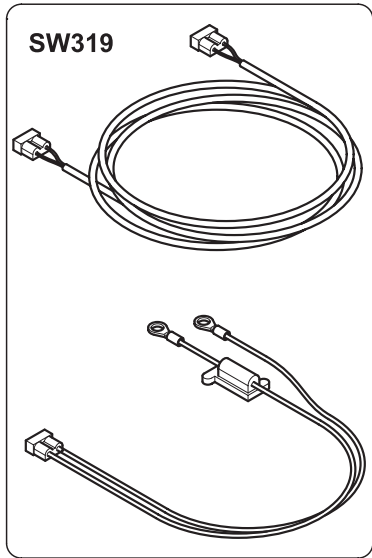
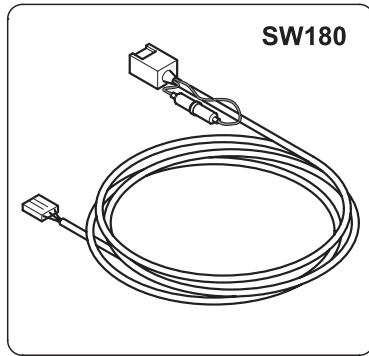
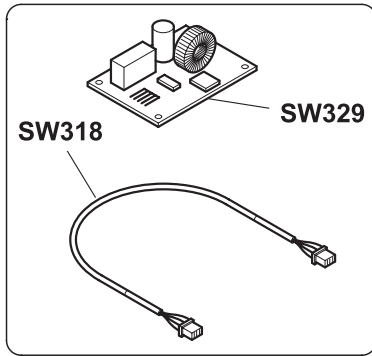


SW CUBE

indelB



INDEL B P/N	DESCRIPTION
SW178	ECU
SW180	Communication Wire
SW188	Temperature Probe
SW283	Flexible Pipe
SW311	Remote Control
SW314	Lid
SW315	Nozzle Lid
SW316	Carter
SW317	Entrance Nozzle
SW318	Connection Wire
SW319	Feeding Harness
SW321	Evaporator Blower
SW322	Condenser Fan
SW323	Absorbing Gasket
SW324	Window Gasket
SW325	Snorkel
SW326	Display Label
SW327	Condenser Temperature Probe
SW328	Display
SW329	Condenser Fan's Voltage Circuit
SW330	Sling