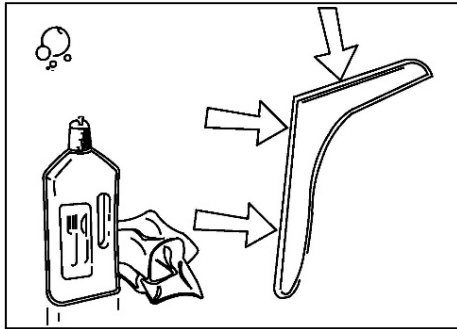
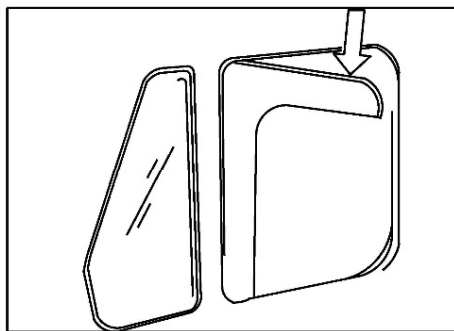
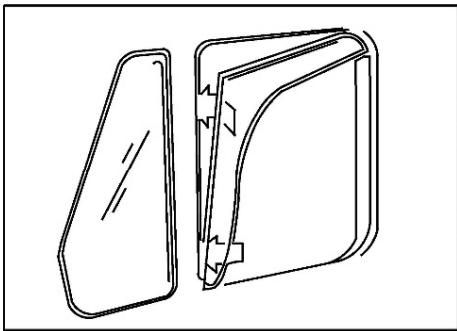


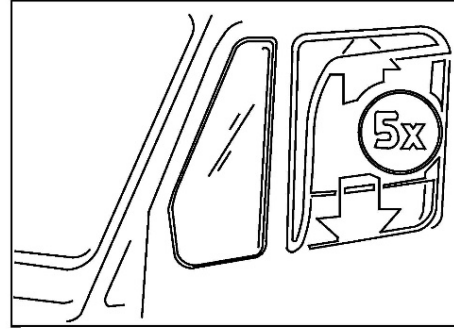
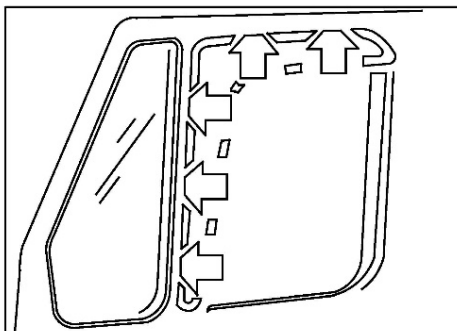
1. Open the window.



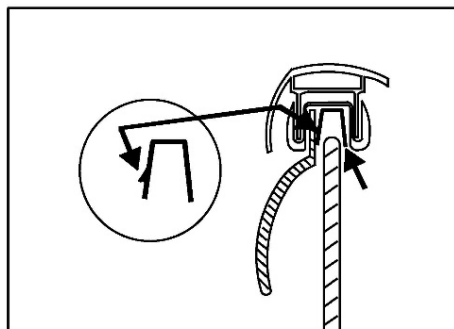
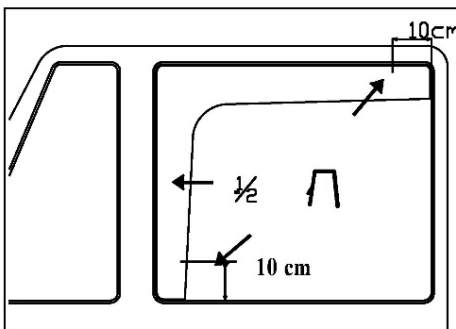
2. Take soap or silicon and apply it on the deflector's edge.



3. Mount the deflector as shown on the picture.



4. Push the deflector in to the gasket. Close and open the window 5 times, so the deflector will find the correct position.



5. Place a piece of textile Wrap on the bottom of the window to avoid clip falling inside the door. Mount the clips as shown on the drawing. All clips must be mounted with the hooks against the deflector as shown on the drawing.