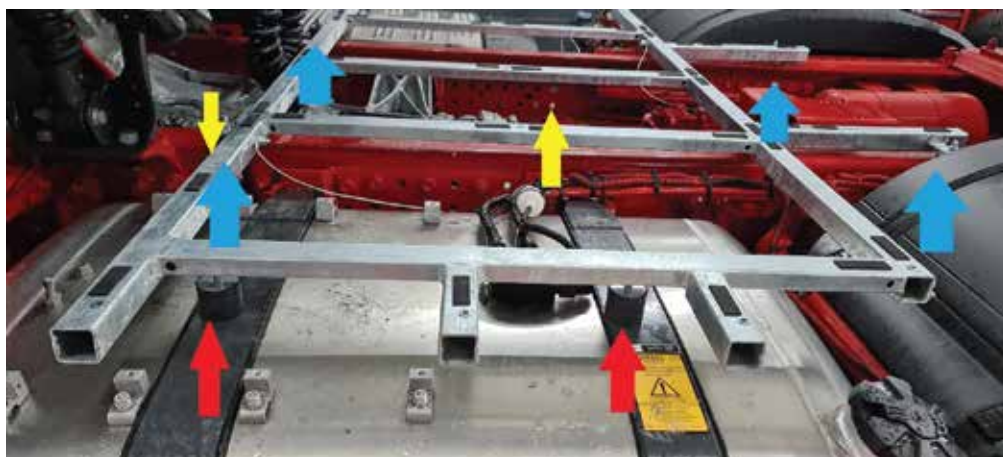


# Full Catwalk

## Generic Fitting Instructions

These instructions are to be used as guidance to fit a TreadSafe full catwalk. The images and diagrams used below are for illustration purposes only. The shape of the supplied equipment and number of mounting points may be different to that of which you have been supplied. However the fitting concept is the same and the fitting location should be self-explanatory when positioned on the vehicle.

**If in doubt, please contact us on  
+44 (0) 1449 744174 or email [sales@kudauk.ltd.uk](mailto:sales@kudauk.ltd.uk)**



**IMPORTANT**

BOTH supplied safety straps MUST be bolted through a chassis mounting point / hole and attached to the catwalk frame

**IMPORTANT**

Ensure vehicle is parked, with the handbrake applied, engine off and in a safe level location before working on.

Beware of fall / trip hazards on the chassis when fitting

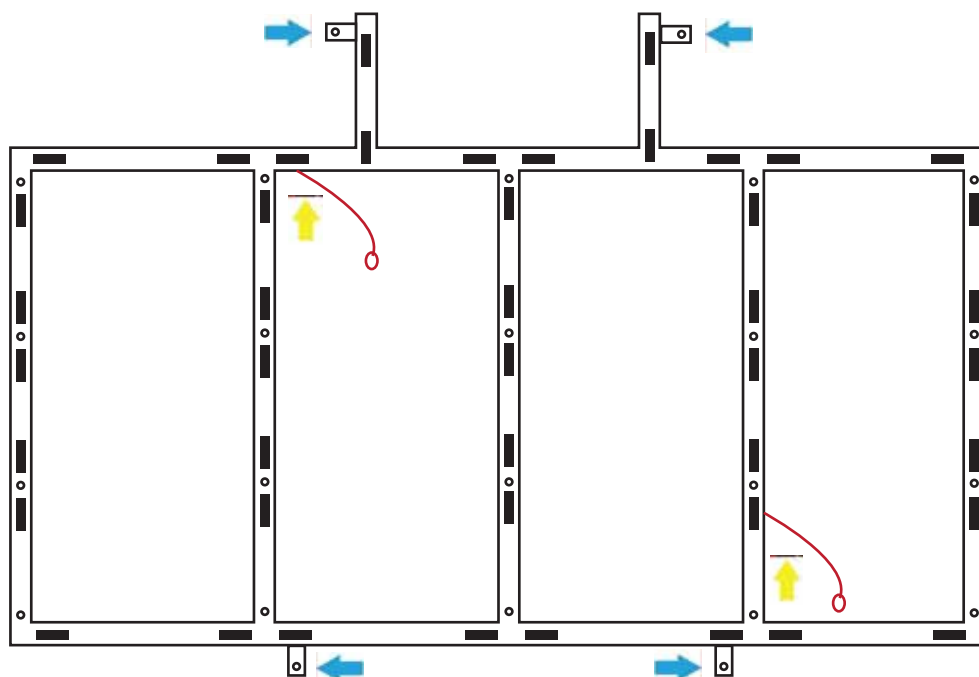


### Securing the frame

**Blue** arrows indicate "L" brackets. These are to be bolted through the frame and the corresponding chassis hole. Use Loctite or it's equivalent on all fixings.

**Yellow** arrows indicate the safety straps. BOTH of the supplied straps MUST be bolted through a chassis mounting point / hole and attached to the catwalk frame.

**Red** arrows show anti-vibration dampers which may be present ensure these are adjusted to the correct height from the frame to tank strap / exhaust box





## Securing the platform

Once the frame is secured to the vehicle and safety straps are in place. Position the aluminium panel(s) onto the frame. We suggest 2 people when lifting.

The aluminium panel(s) will have pre-drilled holes in. These will line up with the nut inserts within the frame.

Secure the platform to the frame using the supplied stainless steel bolts and spring washers.

## IMPORTANT

CHECK ALL FIXINGS ARE TIGHT BEFORE USING THE VEHICLE.

ENSURE THAT THE PRODUCT SAFETY INFORMATION IS FOLLOWED AND ADHERED TO.

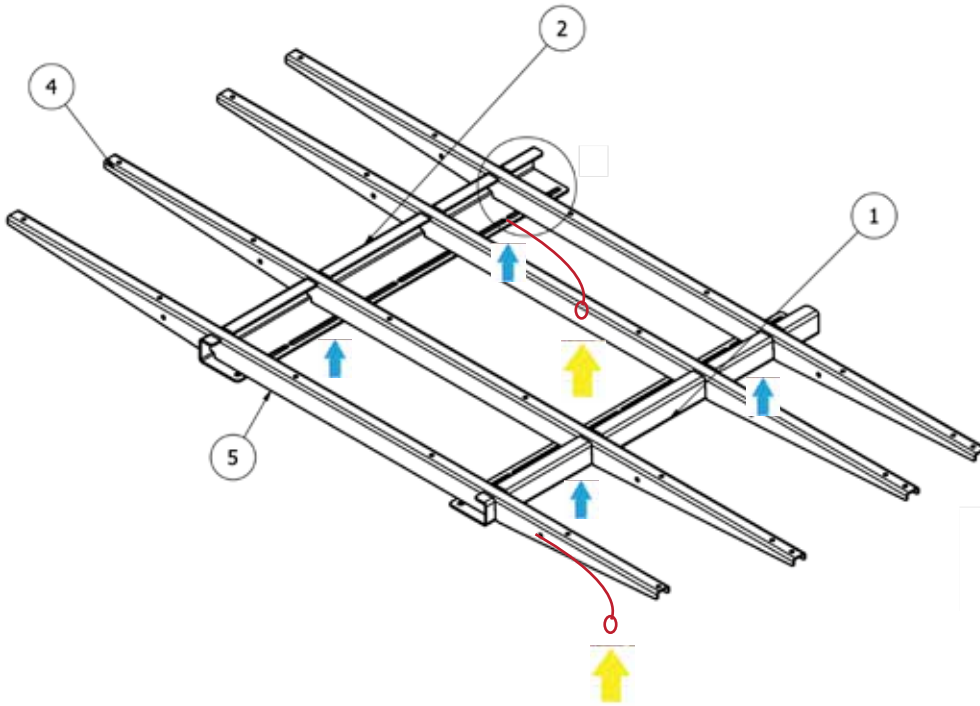


# Full Catwalk

## Generic Fitting Instructions

These instructions are to be used as guidance to fit a TreadSafe full catwalk. The images and diagrams used below are for illustration purposes only. The shape of the supplied equipment and number of mounting points may be different to that of which you have been supplied. However the fitting concept is the same and the fitting location should be self-explanatory when positioned on the vehicle.

**If in doubt, please contact us on  
+44 (0) 1449 744174 or email [sales@kudauk.ltd.uk](mailto:sales@kudauk.ltd.uk)**



### IMPORTANT

**BOTH** supplied safety straps **MUST** be bolted through a chassis mounting point / hole and attached to the catwalk frame

### IMPORTANT

Ensure vehicle is parked, with the handbrake applied, engine off and in a safe level location before working on.

Beware of fall / trip hazards on the chassis when fitting

## Securing the frame

**Blue** arrows indicate "L" brackets. These are to be bolted through the frame and the corresponding chassis hole. Use Loctite or it's equivalent on all fixings.

**Yellow** arrows indicate the safety straps. **BOTH** of the supplied straps **MUST** be bolted through a chassis mounting point / hole and attached to the catwalk frame.



## Install Notes

Ensure the main rails are sitting flush and on top of the chassis rail with no obstruction. Anti-vibration foam should be fitted between the chassis and main rail

We suggest a minimum of 2 people when lifting the frame onto the chassis.

You may need to remove any existing catwalk sections first prior to fitting,



## Securing the platform

Once the frame is secured to the vehicle and safety straps are in place. Position the aluminium panel(s) onto the frame. We suggest 2 people when lifting.

The aluminium panel(s) will have pre-drilled holes in. These will line up with the nut inserts within the frame.

Secure the platform to the frame using the supplied stainless steel bolts and spring washers.

## IMPORTANT

CHECK ALL FIXINGS ARE TIGHT BEFORE USING THE VEHICLE.

ENSURE THAT THE PRODUCT SAFETY INFORMATION IS FOLLOWED AND ADHERED TO.