



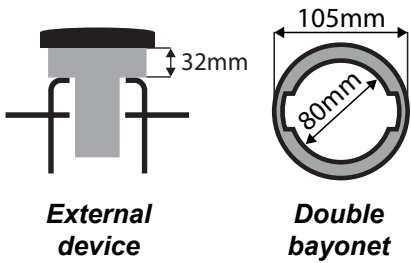
**HERC003**

**FUEL ANTI-SIPHON**

**HERCULES**

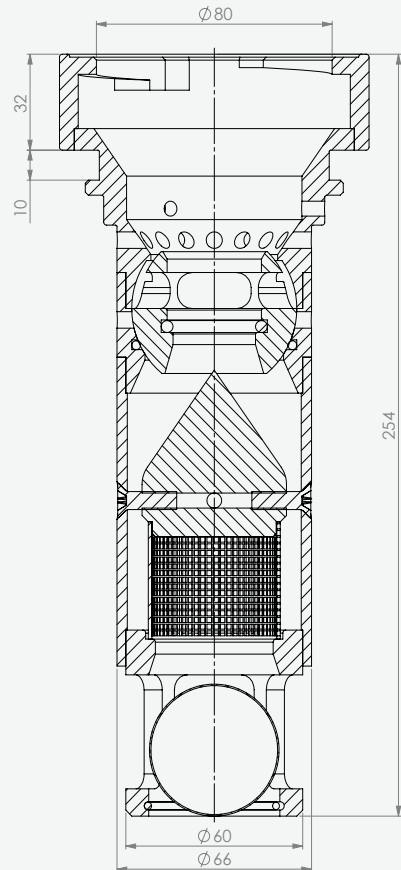
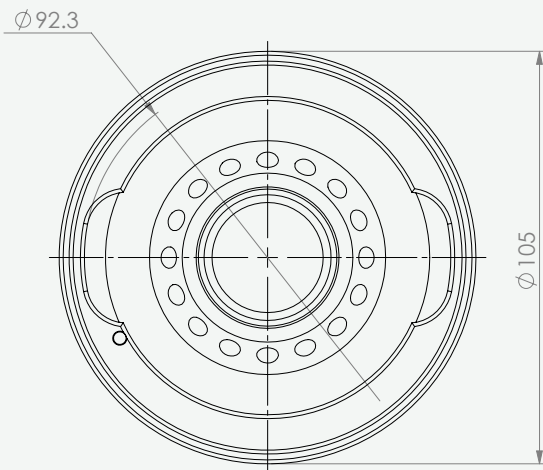
**Technical specifications**

Product details	
Filler neck type	80mm double bayonet
Device Type	External
Locking method	Snap-off screws
Device material	Aluminium alloy
Weight	1.1 kg
Flow speed	110 L/min @ 60° angle




**Product dimensions (mm)**

*Use these dimensions to confirm the product will fit your vehicle*

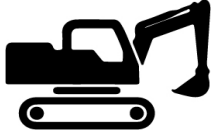


# HERC0003 Vehicle Application List


## Truck vehicles fitted

	Manufacturer	Models
	DAF	CF75, CF85, XF Range
	Dennis Eagle	Refuse truck - Elite 6
	FAW	Some models
	IVECO	Stralis, EuroCargo (metal tank)
	MAN	All models
	Mercedes-Benz	All models (excluding Atego plastic tank)
	Mitsubishi	Canter Fuso some models
	Renault	Most models
	Terberg	Most models
	Volvo	Most models

## Construction vehicles fitted

	Manufacturer	Models
	Atlas	Most models
	Hamm	GRW18, Z520D, HD99
	Hitachi	ZX250
	Hyster	Container handler
	John Deere	Harvester 7450
	Liebherr	Some models
	Sandvik	Some models
	<i>For more information on specific vehicles please contact us</i>	

## Other vehicles & machinery

	Manufacturer	Models
	Other	<i>There are more vehicles with the same filler neck, please contact us for more details.</i>