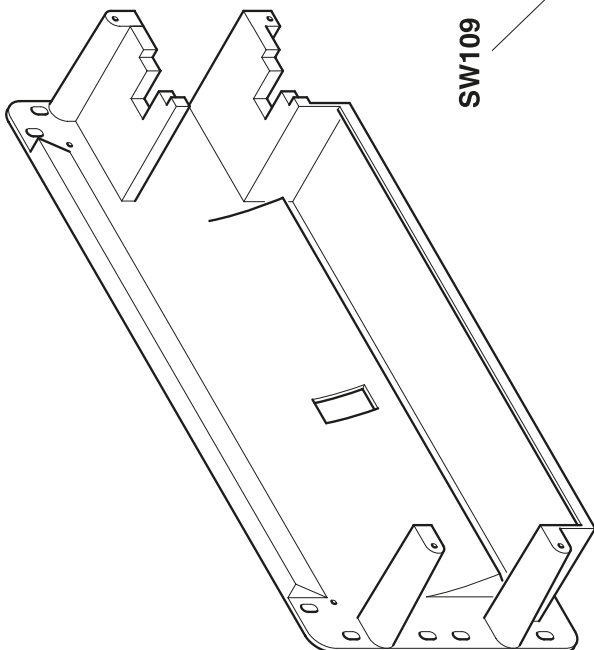
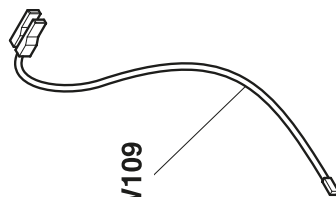
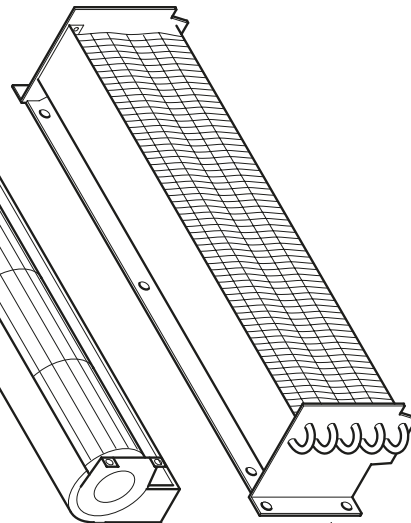
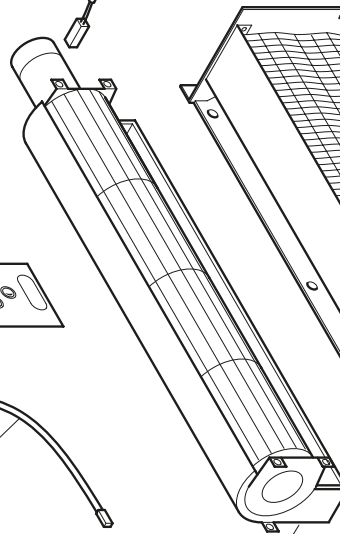
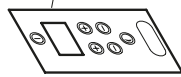
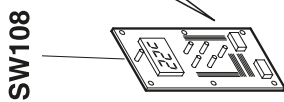
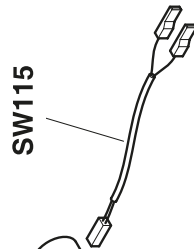
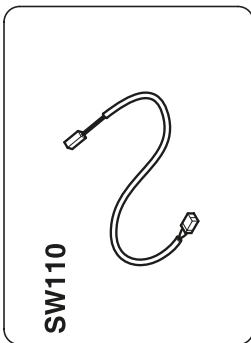
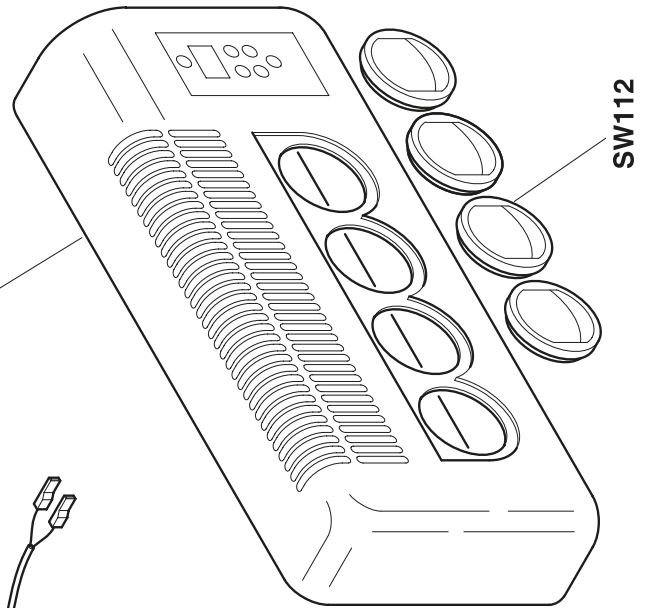
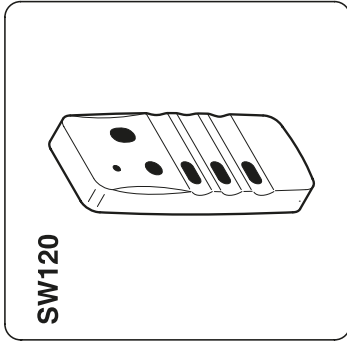
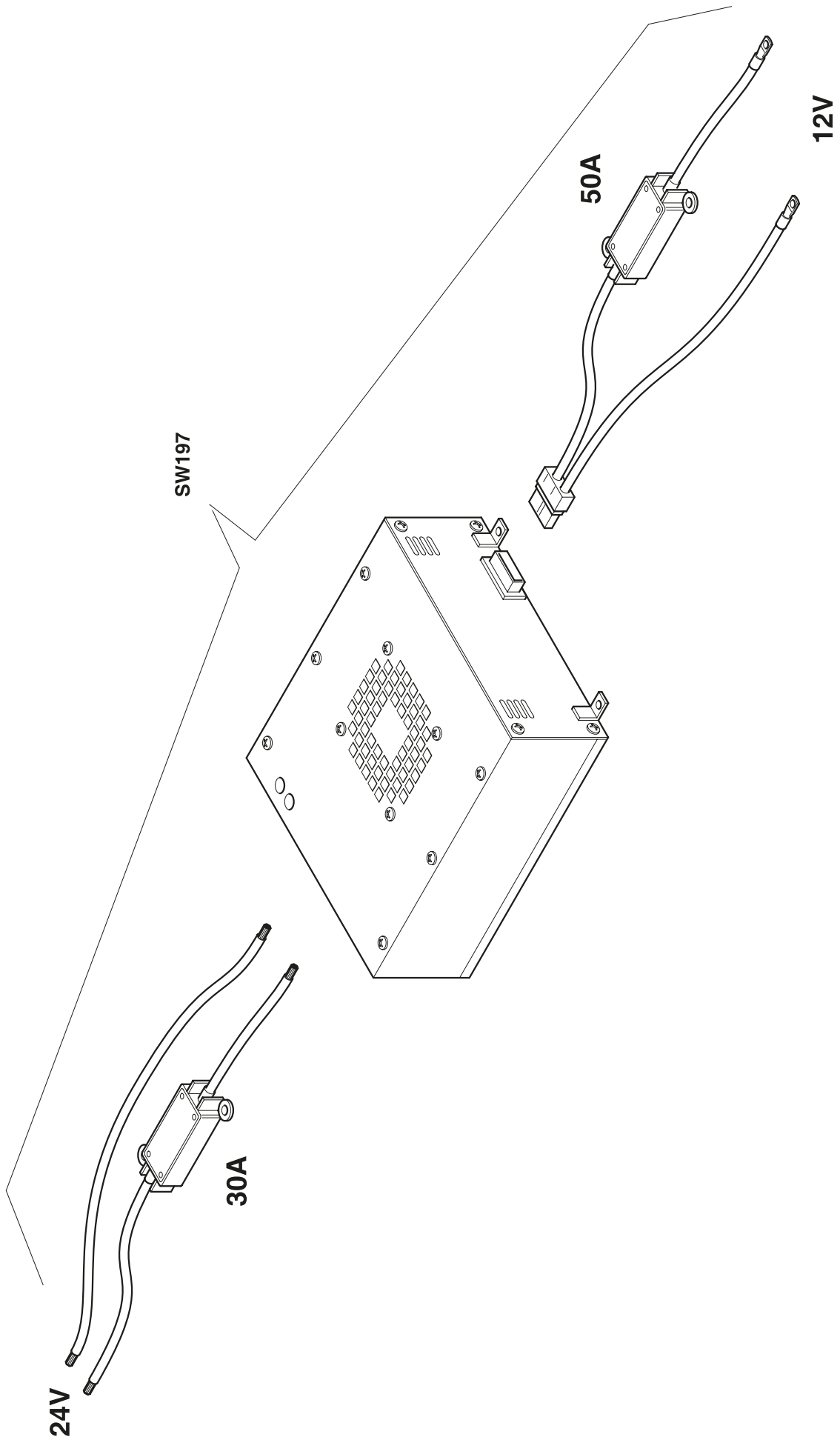


# SW 1000 12V

**indelB**



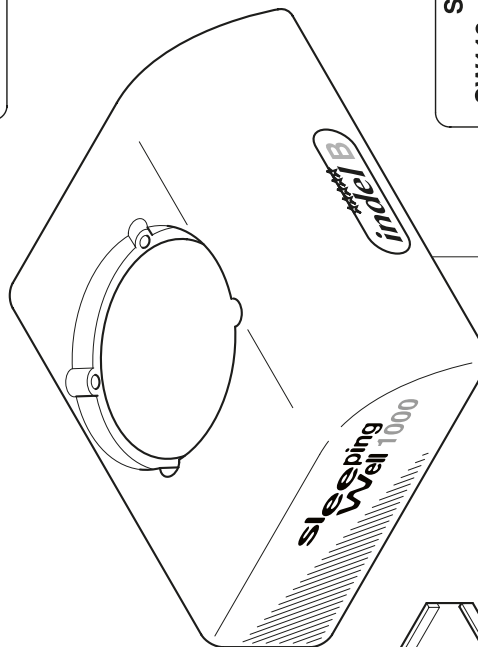
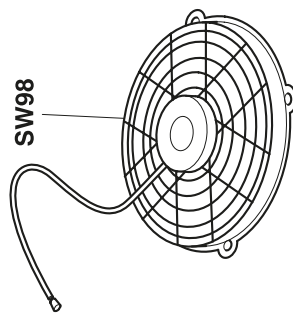
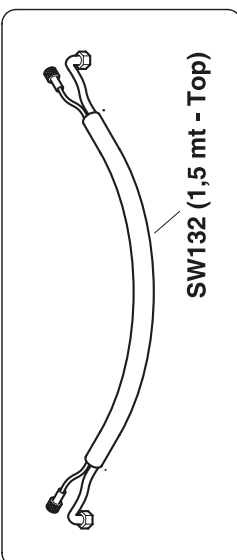
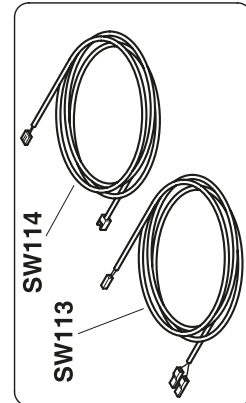
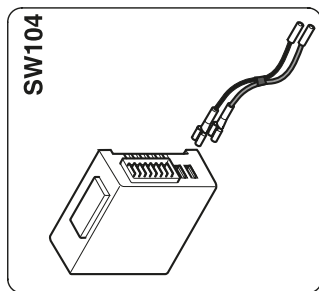
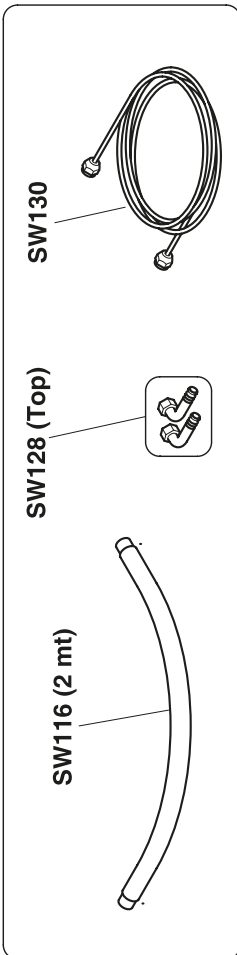
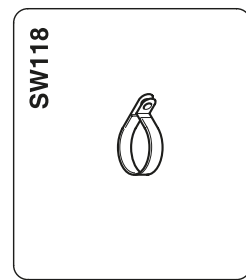
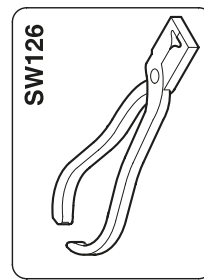
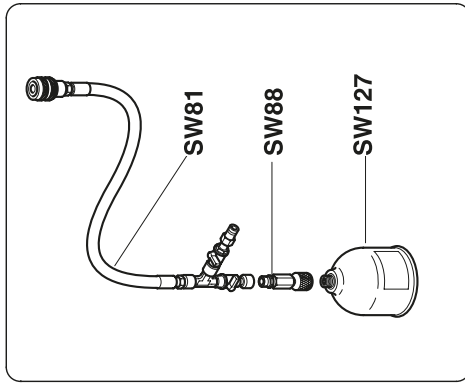
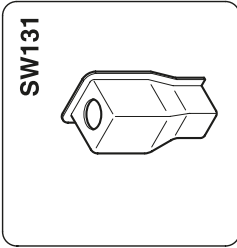
<b>INDEL B P/N</b>	<b>DESCRIPTION</b>
SW107	Blower Fan
SW108	PCB
SW109	Temperature Probe
SW110	Tilt Sensor
SW111	Evaporator
SW112	Air Louver
SW115	Blower Wires
SW120	Remote Control
SW122	Evaporating Unit Carter
SW123	Display Label



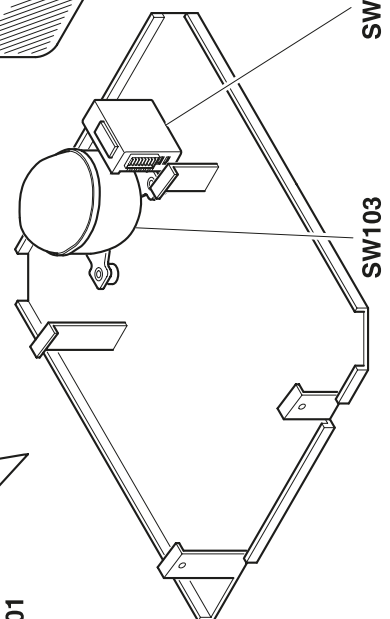
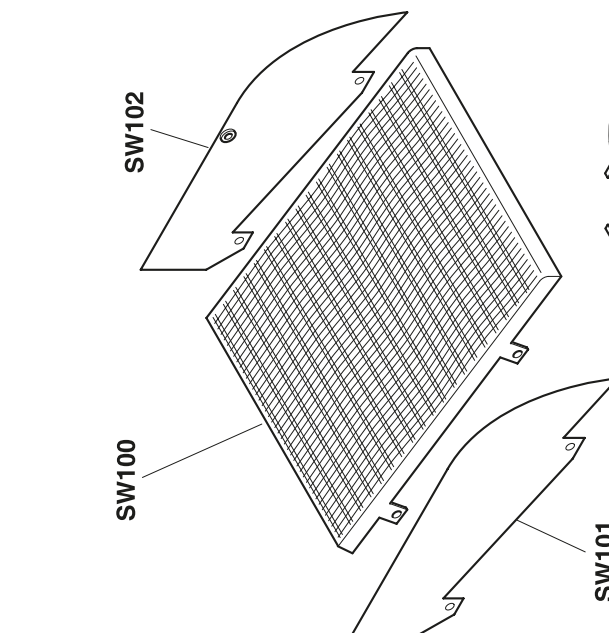
INDEL B P/N	DESCRIPTION
SW197	Conversion Kit

# SW 1000 12V

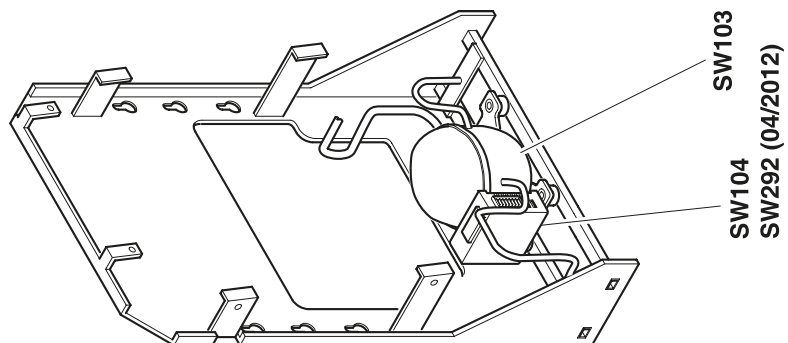
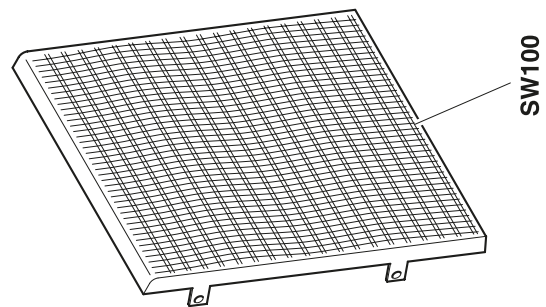
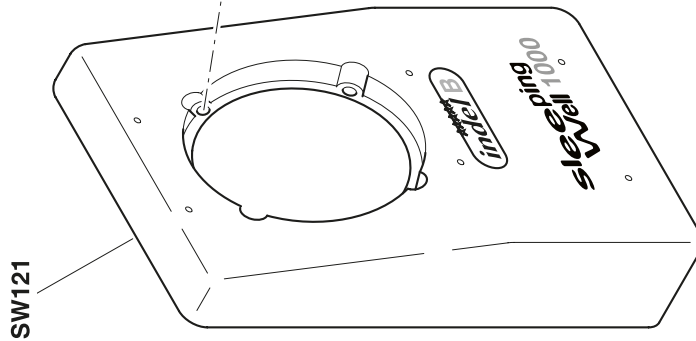
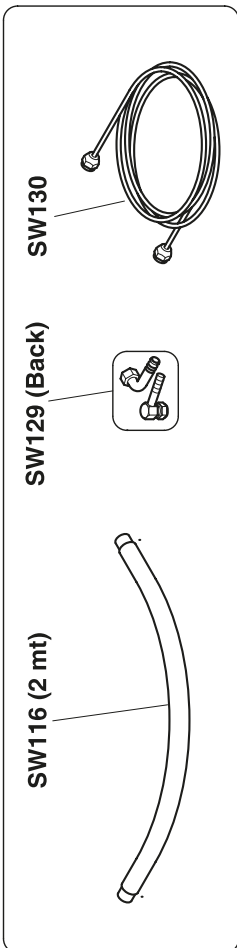
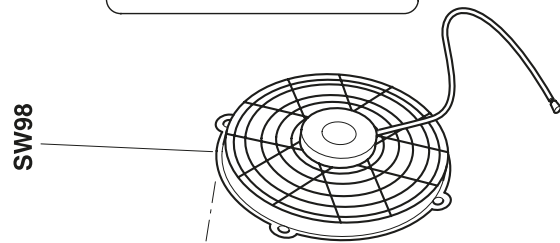
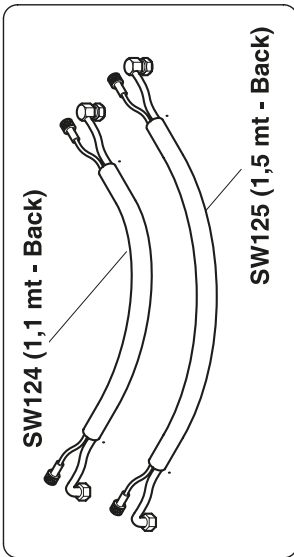
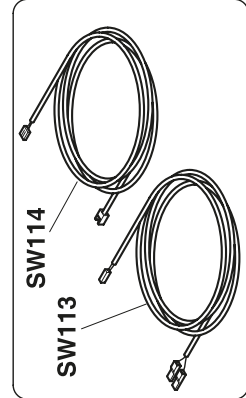
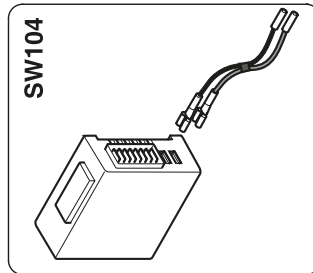
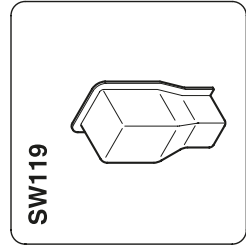
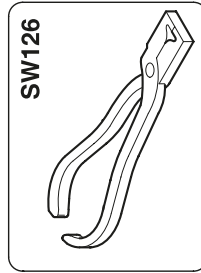
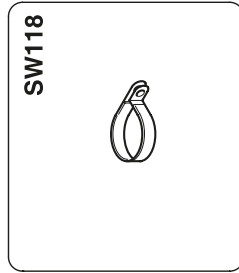
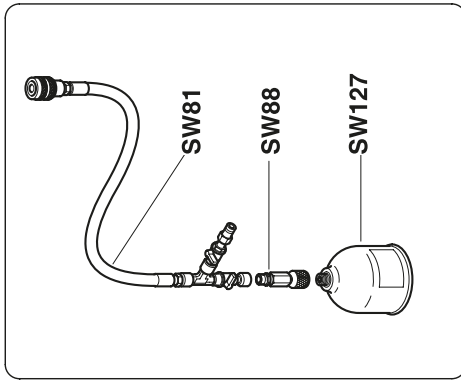
**indelB**



SW105



INDEL B P/N	DESCRIPTION
SW81	Gas Charge Pipe
SW88	Pipe Adapter
SW98	Fan
SW100	Condenser
SW103	Compressor
SW105	Condens Unit Cover
SW104	ECU
SW113	Feeding Harness
SW114	Connection Wire between Splitter and Condenser Unit
SW116	Connection Pipe
SW118	Cable Tie
SW126	Clamp
SW127	Gas Tank
SW128	Fittings Kit
SW130	Capillary Pipe with Connectors
SW131	Wall Terminal
SW132	Connection Pipe Kit
SW292 (04/2012)	ECU



INDEL B P/N	DESCRIPTION
SW81	Gas Loading Pipe
SW88	Pipe Adapter
SW98	Fan
SW100	Condenser
SW103	Compressor
SW104	ECU
SW113	Feeding Harness
SW114	Connection Wire between Splitter and Condenser Unit
SW116	Connection Pipe
SW118	Cable Tie
SW119	Wall Terminal
SW121	Condens Unit Cover
SW124	Connection Pipe Kit
SW125	Connection Pipe Kit
SW126	Clamp
SW127	Gas Tank
SW129	Pipe Fittings
SW130	Capillary Pipe with Connectors
SW292	ECU