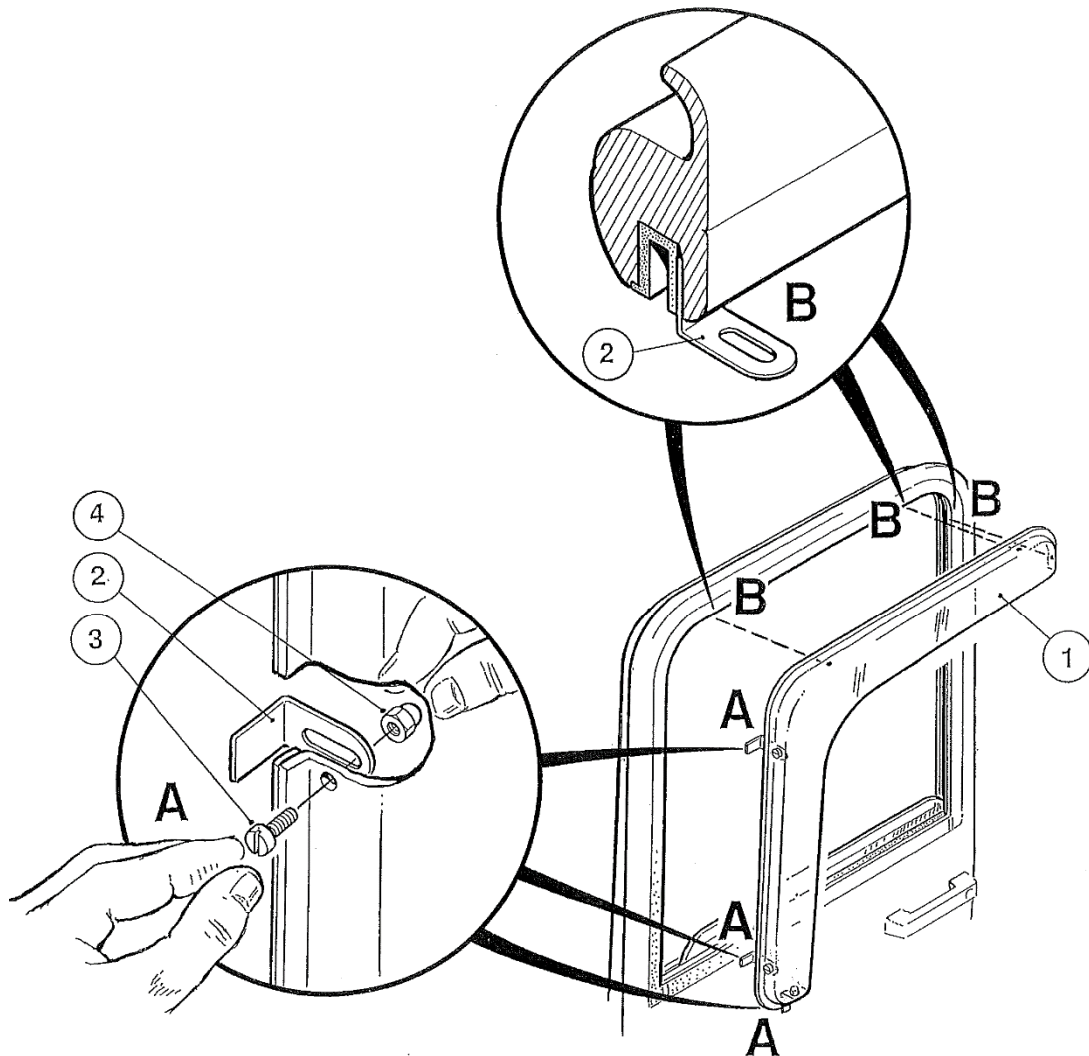
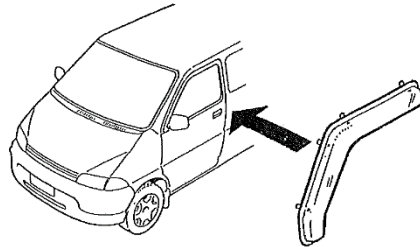
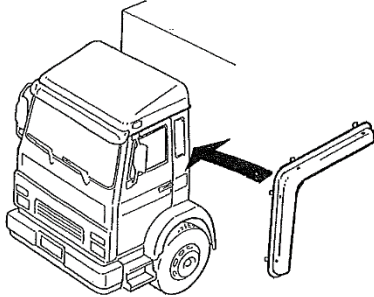




**VEPRO OY**

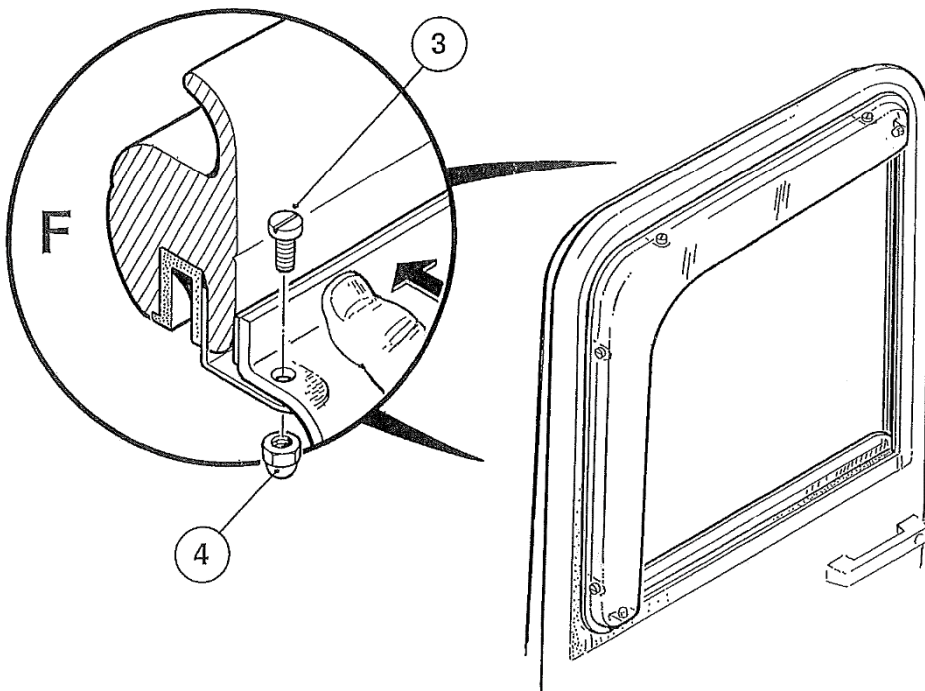
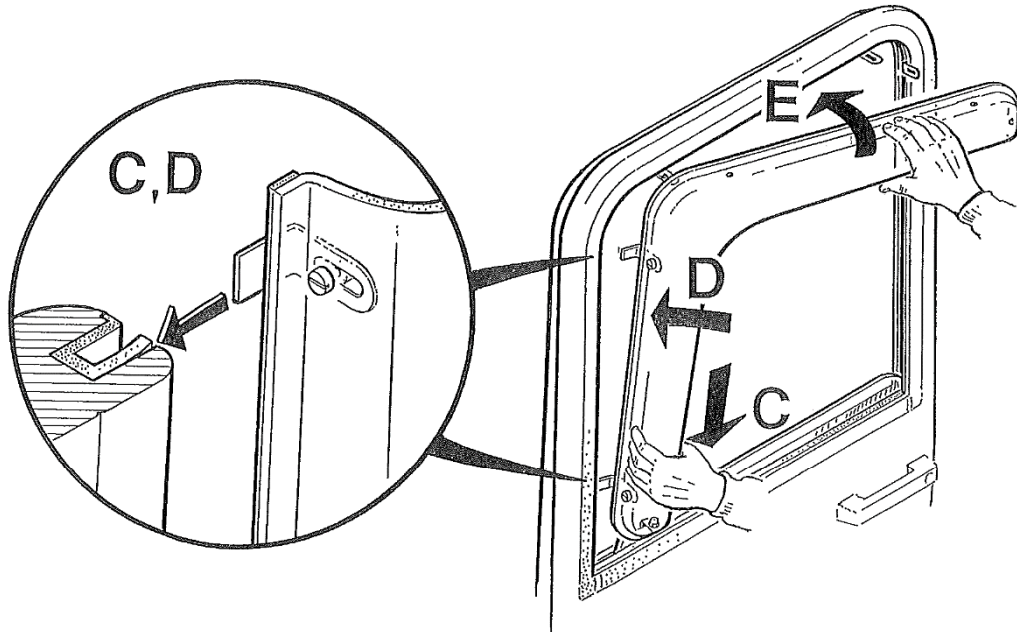
8701, 8702, 8704, 8722, M-B SPRINTER -2006, VW LT 1997-2006, MAN F 2000, MAN L 2000, sidewindow deflector mounting instructions





**VEPRO OY**

8701, 8702, 8704, 8722, M-B SPRINTER -2006, VW  
LT 1997-2006, MAN F 2000, MAN L 2000,  
sidewindow deflector mounting instructions



Address  
Tehtaankatu 21  
11710 RIIHIMÄKI  
FINLAND

Telephone  
+ 358 19 724 00

Fax  
+ 358 19 720 765

mail@vepro.fi  
www.vepro.fi  
FI09001798