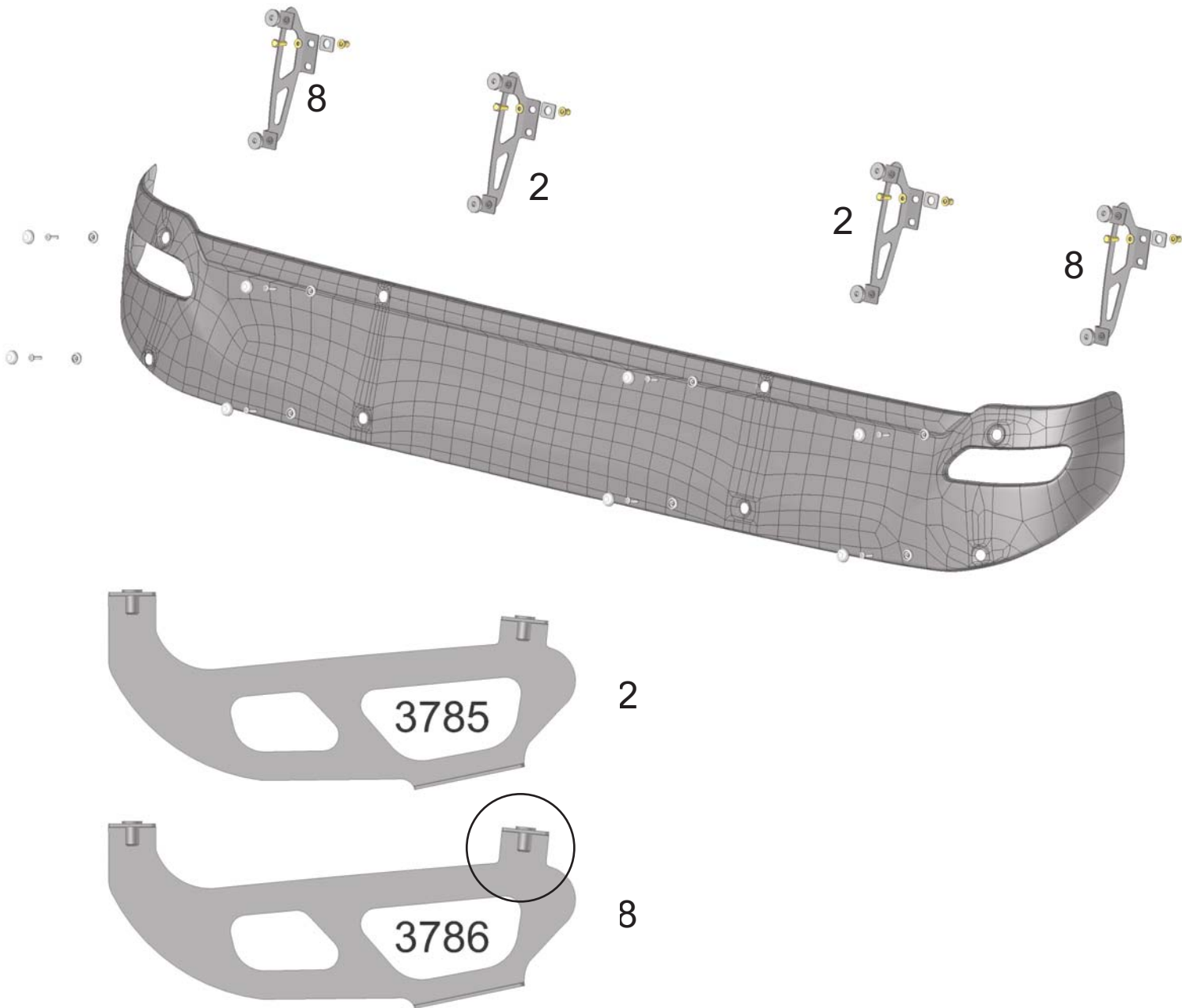




VEPRO OY 5230 IVECO STRALIS HI-ROAD/HI-STREET/TRAKKER Sun visor Mounting instructions

1. Acrylic part	1 pc	2. Main bracket center 3785	2 pcs
3. Cover hat	8 pcs	4. Cover collar	8 pcs
5. Screw M6x25mm	6 pcs	6. Rubber washer 6mm	6 pcs
7. Rivet nut M8	8 pcs	8. Side bracket 3786	2 pcs
9. Screw 5x25mm	2 pcs	10. Nut M5	2 pcs
11. Hex. screw M8x25mm	8 pcs	12. Washer M8x17mm	8 pcs
13. Rubber gasket	4 pcs	14. Washer M5	2 pcs

Please note, that the marker lights from the cabin cannot be mounted on the visor. You need to buy them from your local Iveco dealer.



Osoite/Address
Tehtaankatu 21,
11710 RIIHIMÄKI
FINLAND

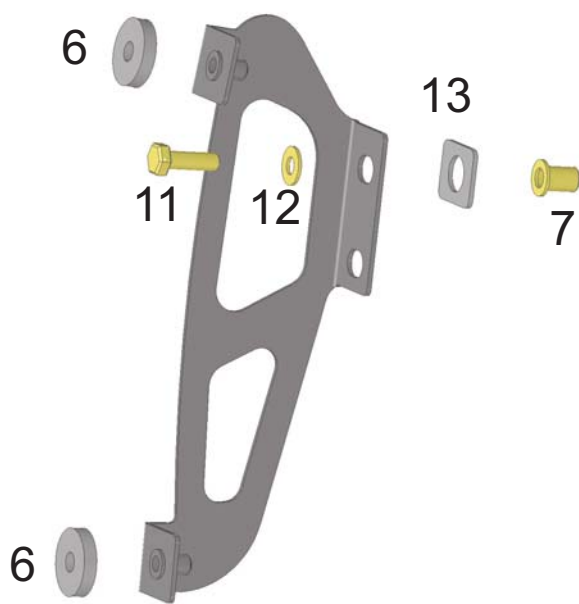
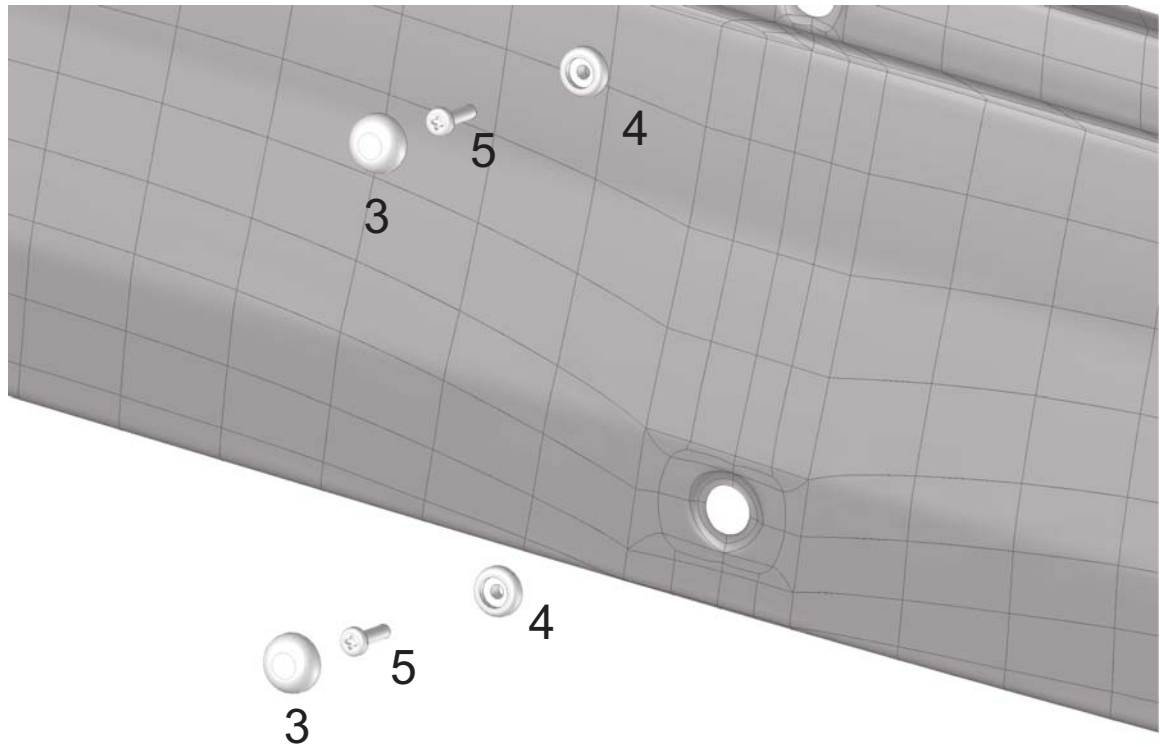
Puhelin/Telephone
+ 358 19 724 000

Telefax
+ 358 19 720 765

Pankki/Bank
OKO 539602-254945
Sampo 800016-70104554
FI09001798



VEPRO OY 5230 IVECO STRALIS HI-ROAD/HI-STREET/TRAKKER Sun visor Mounting instructions



Mounting the rivet nut:
First make a small hole and then
make 11,0mm hole with step drill tool.

