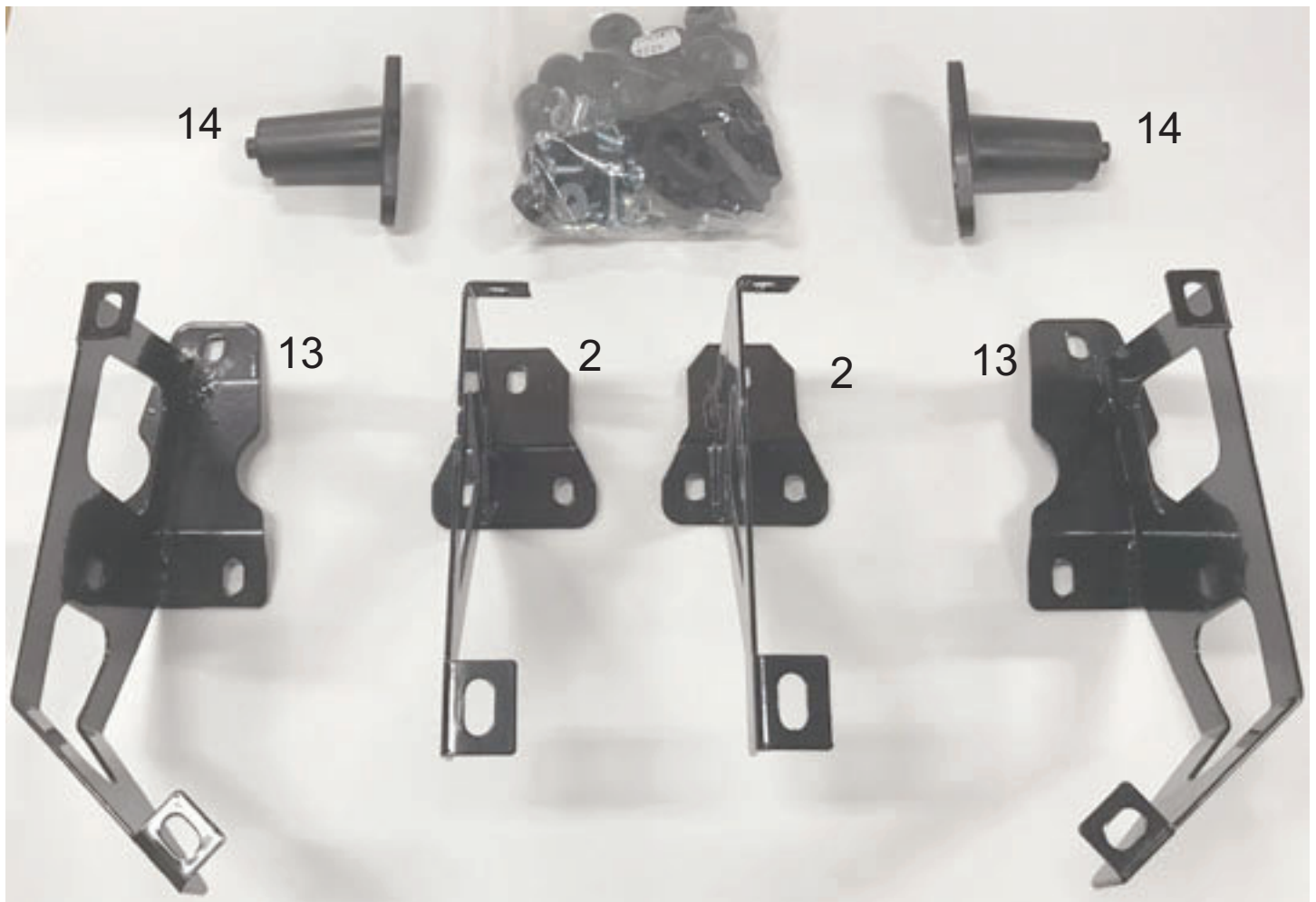




VEPRO OY 5229 ANTOS / ACTROS / AROCS MP4 S/M CLASSIC SPACE 2300mm Mounting instructions

1. Acrylic part	1 pc	2. Main bracket	2 pcs
3. Cover hat	10 pcs	4. Cover collar	10 pcs
5. Screw M6x25mm	10 pcs	6. Rubber washer 6mm	10 pcs
7. Rubber washer 3mm	8 pcs	8. Torx Screw M6x20mm	16 pcs
9. Washer M6x18mm	24 pcs	10. Nylok M6	8 pcs
11. Rivet nut M6	16 pcs	12. Rubber gasket	16 pcs
13. Center bracket	1 pair	14. Side bracket	1 pair



Osoite/Address
Tehtaankatu 21,
11710 RIIHIMÄKI
FINLAND

Puhelin/Telephone
+ 358 19 724 000

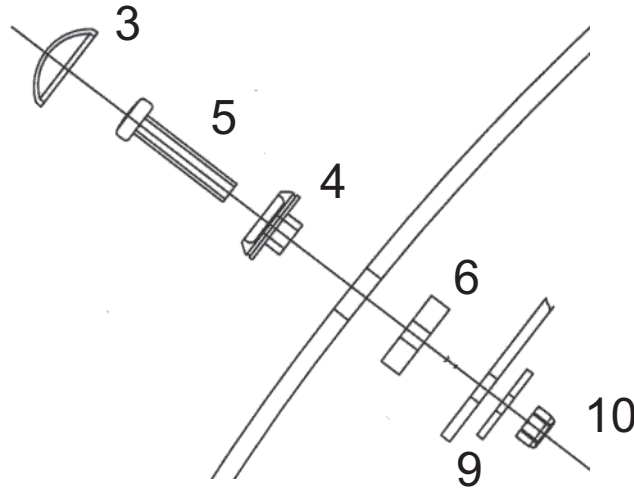
Telefax
+ 358 19 720 765

Pankki/Bank
OKO 539602-254945
Sampo 800016-70104554
FI09001798

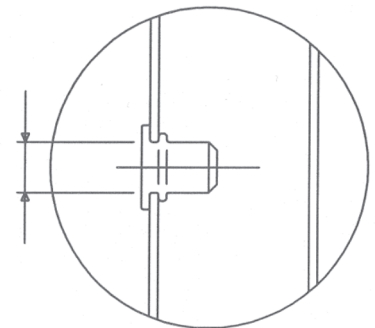


VEPRO OY 5229 ANTOS / ACTROS / AROCS MP4 S/M CLASSIC SPACE 2300mm Mounting instructions

Mount the acrylic part on brackets as shown on the drawing:
When you mount the side bracket you do not use parts 9 and 10.



Place the visor on the vehicles roof and mark the hole positions. Drill the holes with 4,0mm bit. Now drill the holes for the rivet nuts to size of 9,0mm with a step drill tool. Please note that the hole must be tight for rivet nut. But Sikaflex on the holes and mount the rivet nuts as shown on the drawing.



Mount the visor on the roof as shown on the drawing.

