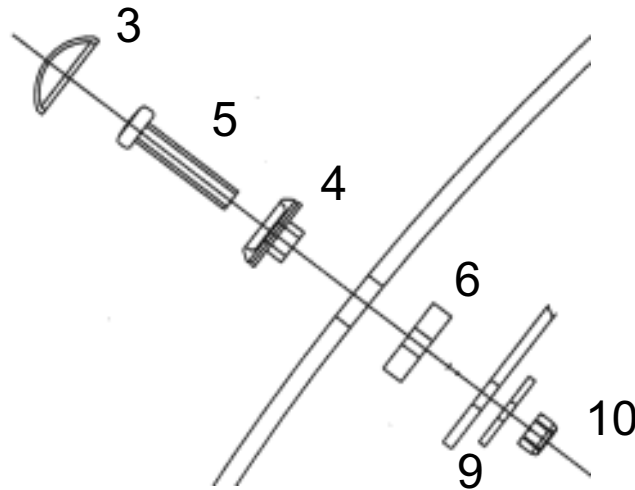




1. Acrylic part	1 pc	2. Main bracket	2 pcs
3. Cover hat	10 pcs	4. Cover collar	10 pcs
5. Screw M6x25mm	10 pcs	6. Rubber washer 6mm	10 pcs
7. Rubber washer 3mm	8 pcs	8. Hex Screw M6x20mm	20 pcs
9. Washer M6x18mm	2 pcs	10. Nylok M6	8 pcs
11. Rivet nut M6	20 pcs	12. Rubber gasket	20 pcs
13. Center bracket	1 pair	14. Side bracket	1 pair



Mount the acrylic part on brackets as shown on the drawing:
When you mount the side bracket you do not use parts 9 and 10.

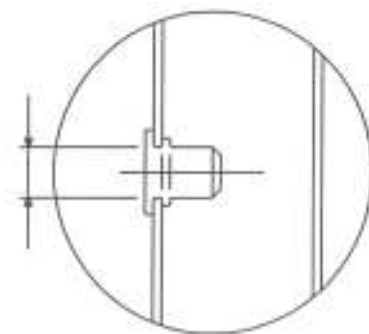




VEPRO OY

5223 M-B Actros MP4 Big / Giga space Mounting instructions

Place the visor on the vehicles roof and mark the hole positions. Drill the holes with 4,0mm bit. Now drill the holes for the rivet nuts to size of 9,0mm with a step drill tool. Please note that the hole must be tight for rivet nut. But Sikaflex on the holes and mount the rivet nuts as shown on the drawing.



Mount the visor on the roof as shown on the drawing.

