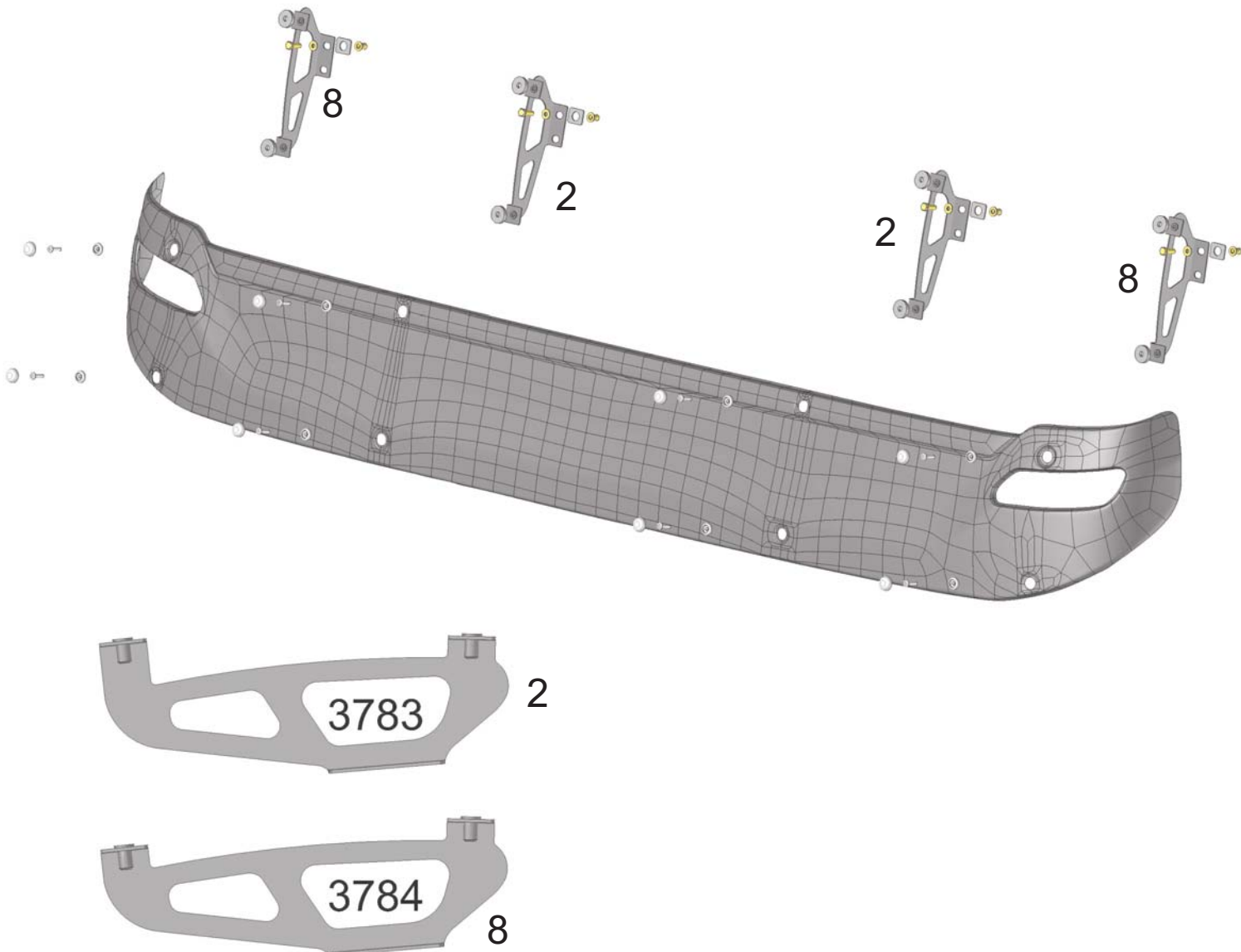




# VEPRO OY 5139 IVECO STRALIS HI-WAY sun visor Mounting instructions

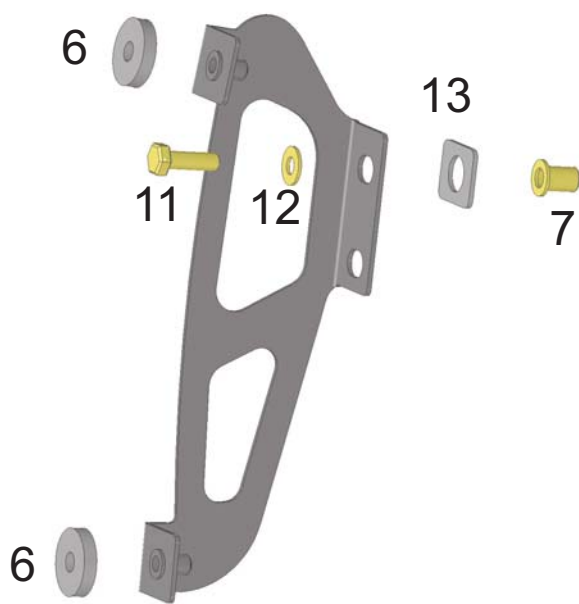
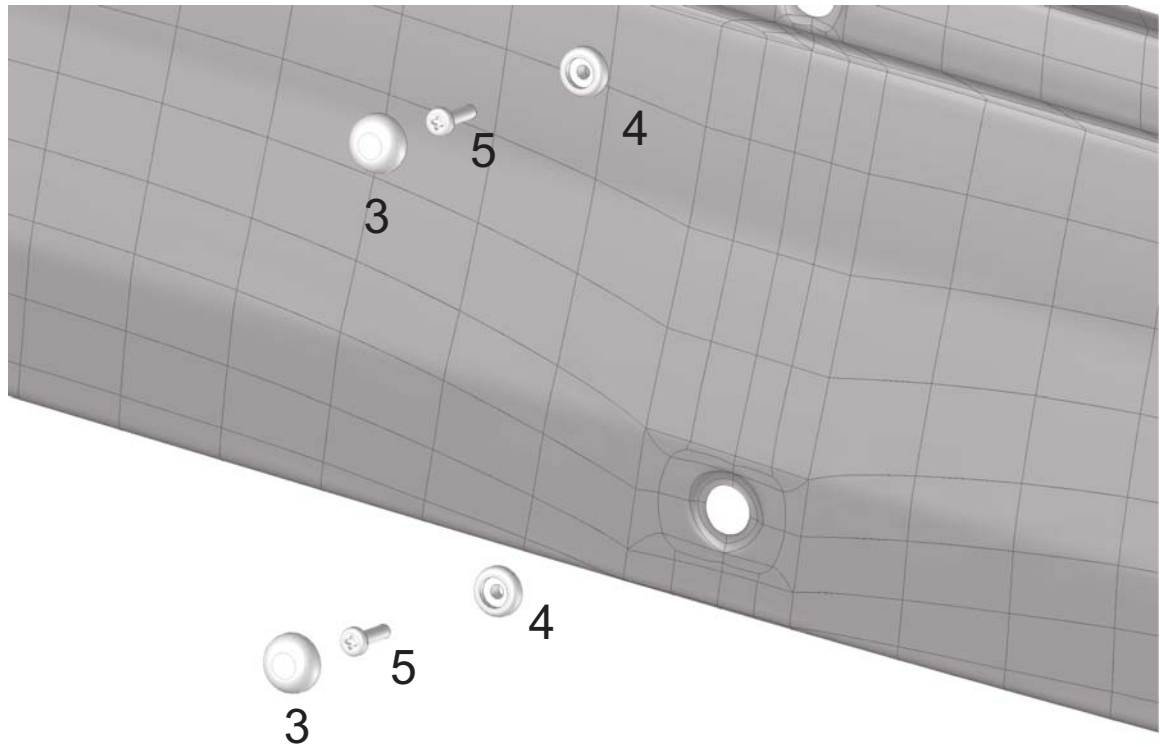
1. Acrylic part	1 pc	2. Main bracket center 3783	2 pcs
3. Cover hat	8 pcs	4. Cover collar	8 pcs
5. Screw M6x25mm	6 pcs	6. Rubber washer 6mm	6 pcs
7. Rivet nut M8	8 pcs	8. Side bracket 3784	2 pcs
9. Screw 5x25mm	2 pcs	10. Nut M5	2 pcs
11. Hex. screw M8x25mm	8 pcs	12. Washer M8x17mm	8 pcs
13. Rubber gasket	4 pcs	14. Washer M5	2 pcs

Please note, that the marker lights from the cabin cannot be mounted on the visor. You need to buy them from your local Iveco dealer.





# VEPRO OY 5139 IVECO STRALIS HI-WAY sun visor Mounting instructions



**Mounting the rivet nut:**  
First make a small hole and then  
make 11,0mm hole with step drill tool.

