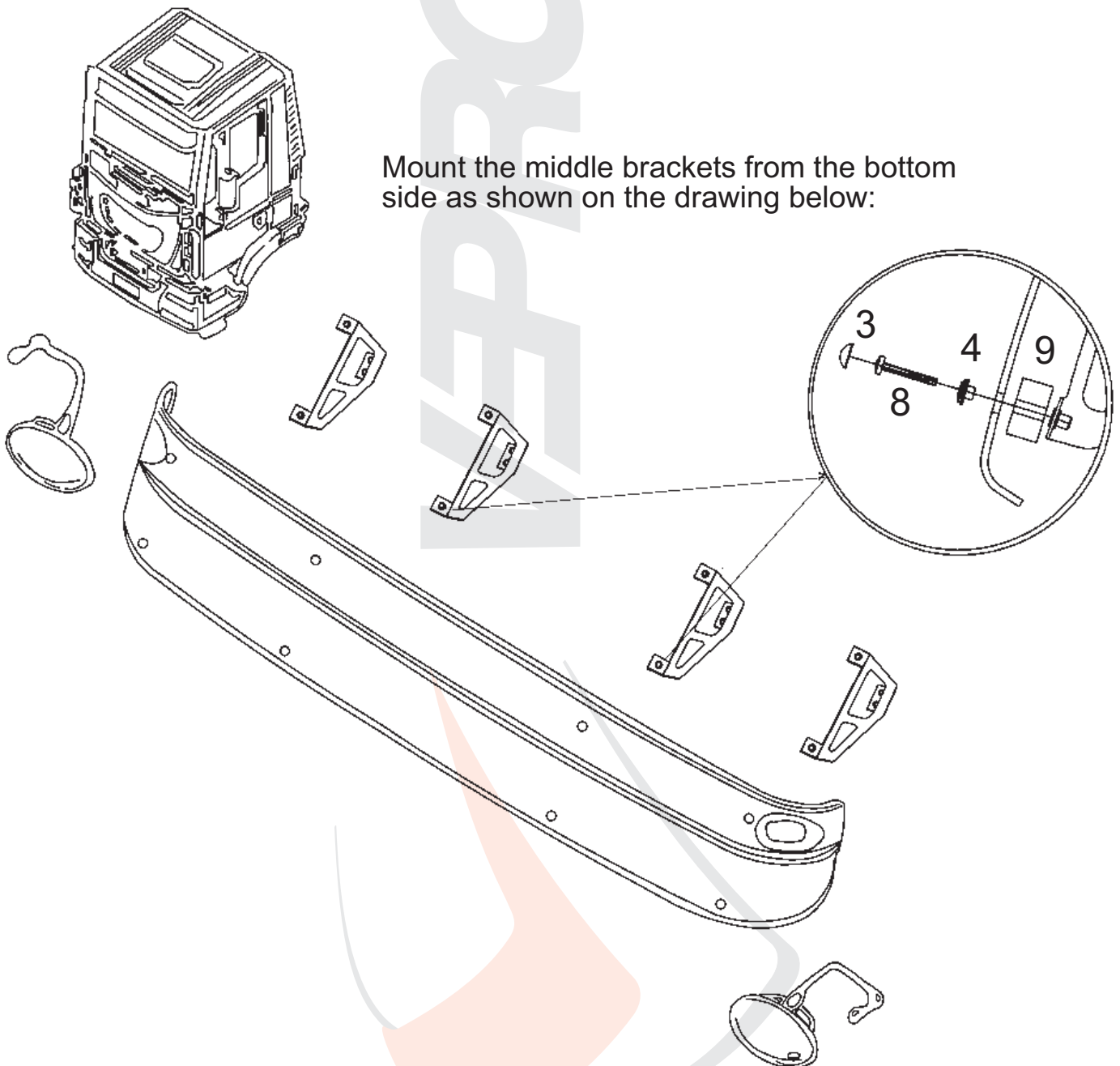




VEPRO OY 5137 Iveco Stralis Cube sun visor Mounting instructions

1. Acrylic part	1 pc	2. Main bracket	4 pcs
3. Cover hat	8 pcs	4. Cover collar	8 pcs
5. Screw M6x25mm	6 pcs	6. Rubber washer 6mm	6 pcs
7. Rivet nut M8	8 pcs	8. Screw M6x40mm	4 pcs
9. Rubber washer 40x9x22	2 pcs	10. Nut M5	2 pcs
11. Hex. screw M8x25mm	8 pcs	12. Washer M8x17mm	8 pcs
13. Rubber gasket	4 pcs	14. Washer M5	2 pcs
15. Screw 5x25mm	2 pcs		

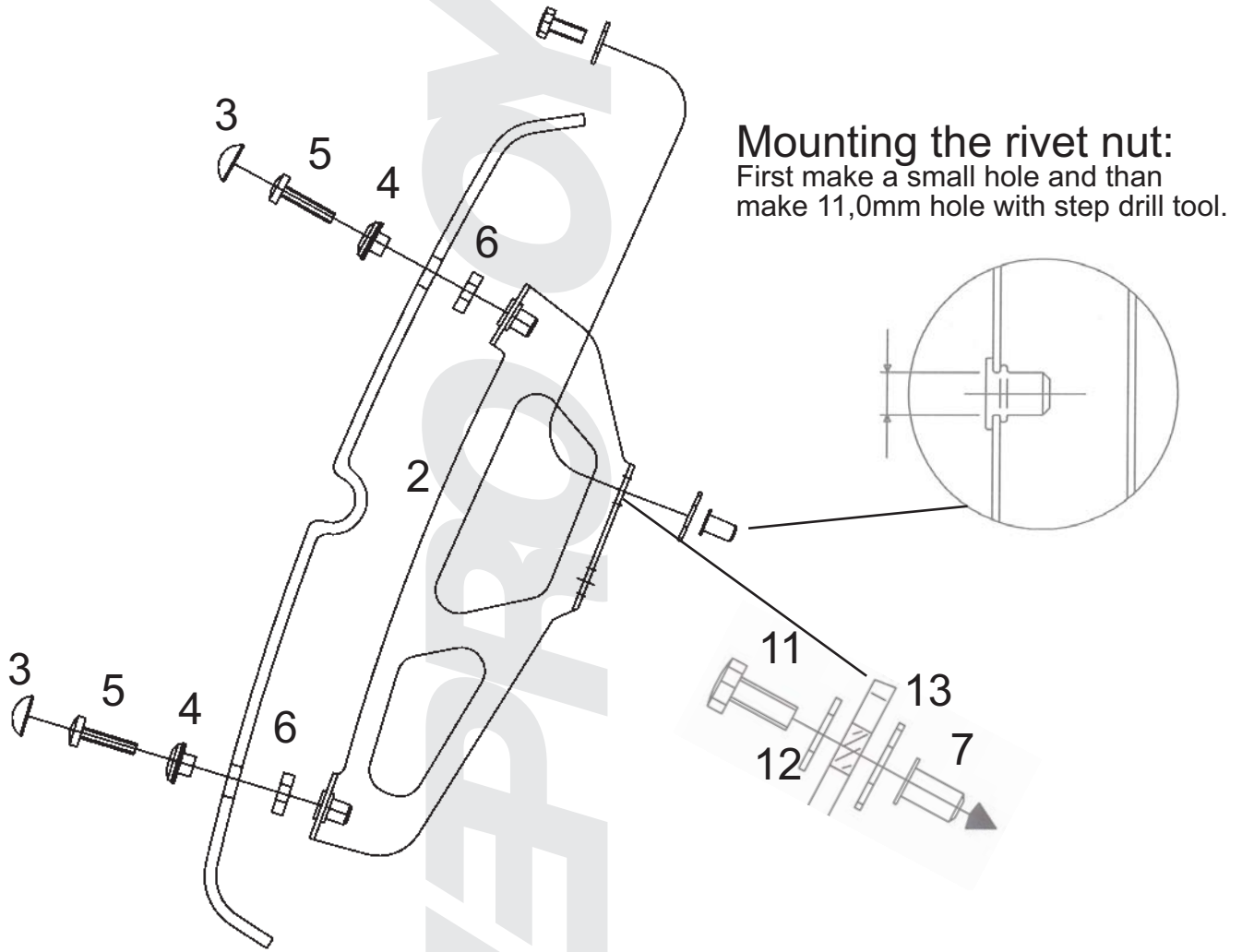
Please note, that the marker lights from the cabin cannot be mounted on the visor. You need to buy them from your local Iveco dealer.



Mount the middle brackets from the bottom side as shown on the drawing below:



VEPRO OY 5137 Iveco Stralis Cube sun visor Mounting instructions



Mounting the rivet nut:
First make a small hole and then
make 11,0mm hole with step drill tool.