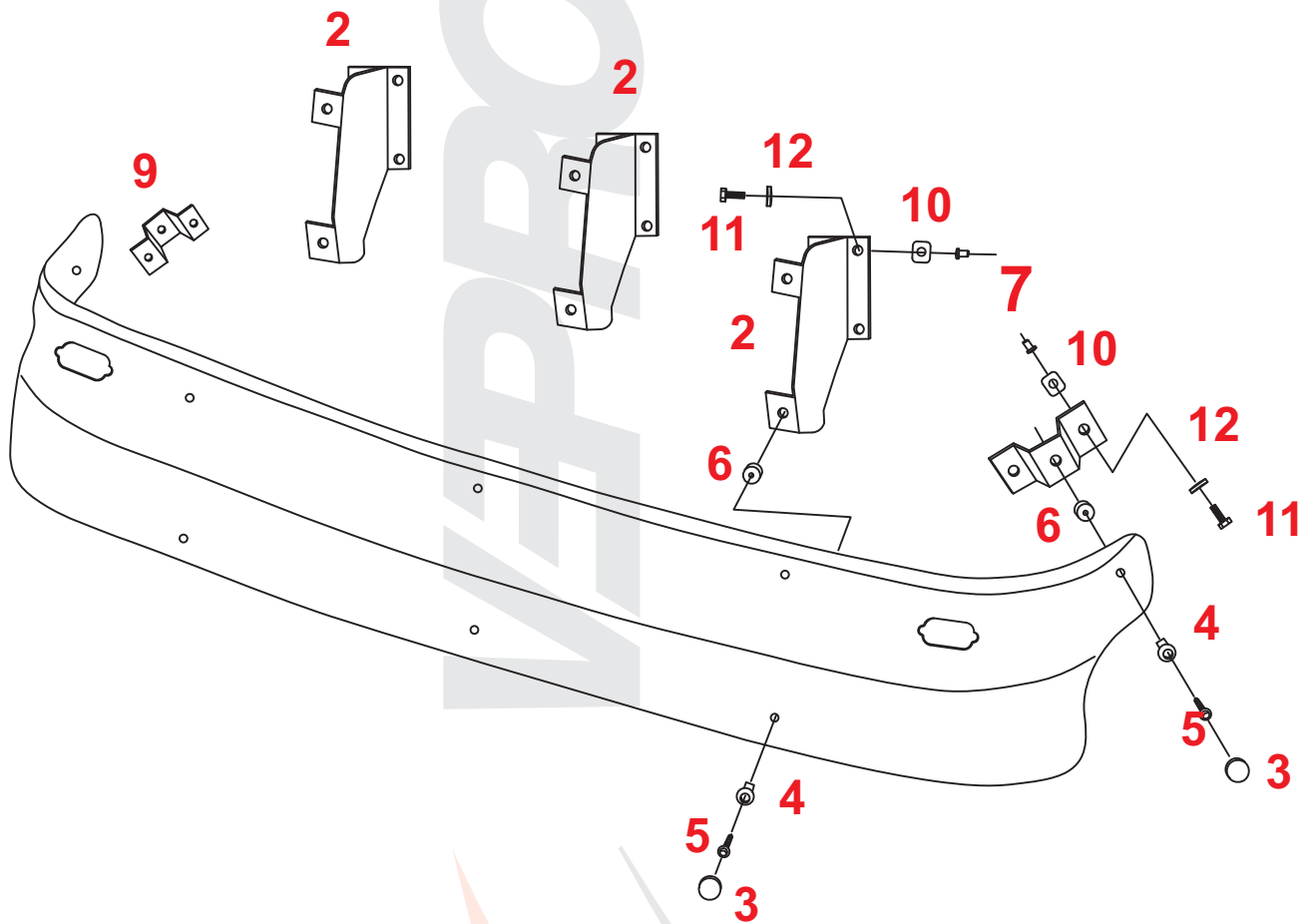




VEPRO OY 5123 Actros MP2 standard roof
 5126 Actros MP2 standard roof
 for models with front view mirror
Mounting instructions

- | | | | |
|------------------------|--------|----------------------|--------|
| 1. Acrylic part | 1 pc | 2. Main bracket | 3 pcs |
| 3. Cover hat | 8 pcs | 4. Cover collar | 8 pcs |
| 5. Screw M6x25mm | 8 pcs | 6. Rubber washer 6mm | 8 pcs |
| 7. Rivet nut M6 | 16 pcs | 8. Side bracket left | 1 pc |
| 9. Side bracket right | 1 pc | 10. Rubber gasket | 16 pcs |
| 11. Hex. screw M6x20mm | 16 pcs | 12. Washer M6x18mm | 16 pcs |



For this visor you need to purchase original M-B Marker lights and light housing artikel number A002 820 0456 (not supplied in vepro's mounting kit).