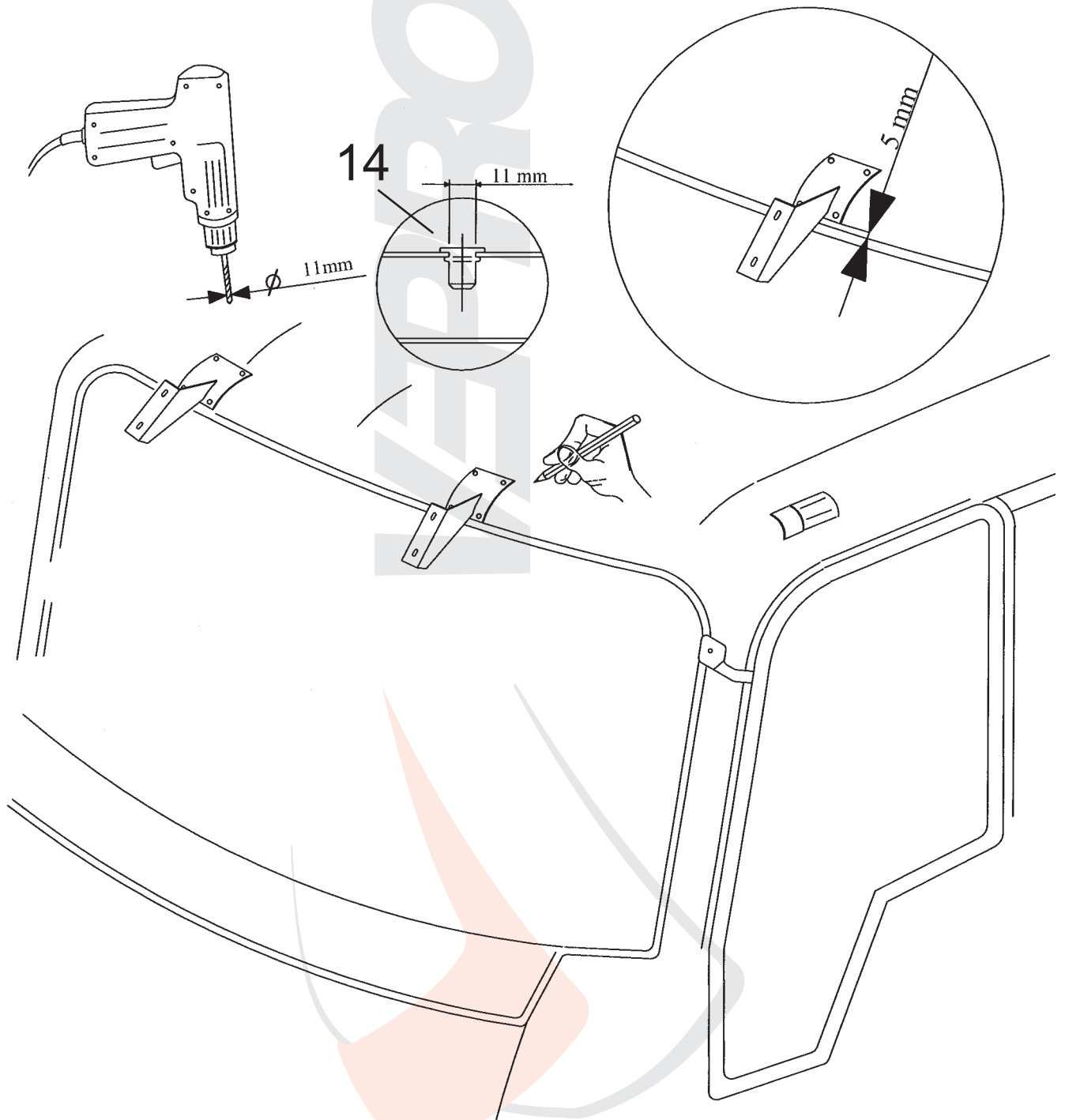




VEPRO OY

5102 Isuzu NQR Sun Visor Mounting instructions

- | | | | |
|-----------------------------|--------|----------------------|-------|
| 1. Acrylic part | 1 pc | 2. Center bracket | 2 pcs |
| 3. Side brackets | 1 pair | 4. Cover hat | 6 pcs |
| 5. Cover collar | 6 pcs | 6. Screw M6x30mm | 4 pcs |
| 7. Rubber washer 6mm | 6 pcs | 8. Rubber washer 3mm | 4 pcs |
| 9. Washer M6x22mm | 4 pcs | 10. Nylok M6 | 6 pcs |
| 11. Hex. screw M8x20mm | 8 pcs | 12. Washer M8x17mm | 8 pcs |
| 13. Rubber gasket | 8 pcs | 14. Rivet nut M8 | 8 pcs |
| 15. Self tapping s. M4,2x19 | 2 pcs | 16. Nut cover hat M6 | 4 pcs |
| 17. Screw M6x20mm | 2 pcs | | |



Osoite/Address
 Tehtaankatu 21.
 11710 RIIHIMÄKI
 FINLAND

Puhelin/Telephone
 + 358 19 724 000

Telefax
 + 358 19 720 765

Pankki/Bank
 OKO 539602-254945
 Sampo 800016-70104554
 FI09001798

apply sikaflex 252 between the roof and the center bracket

