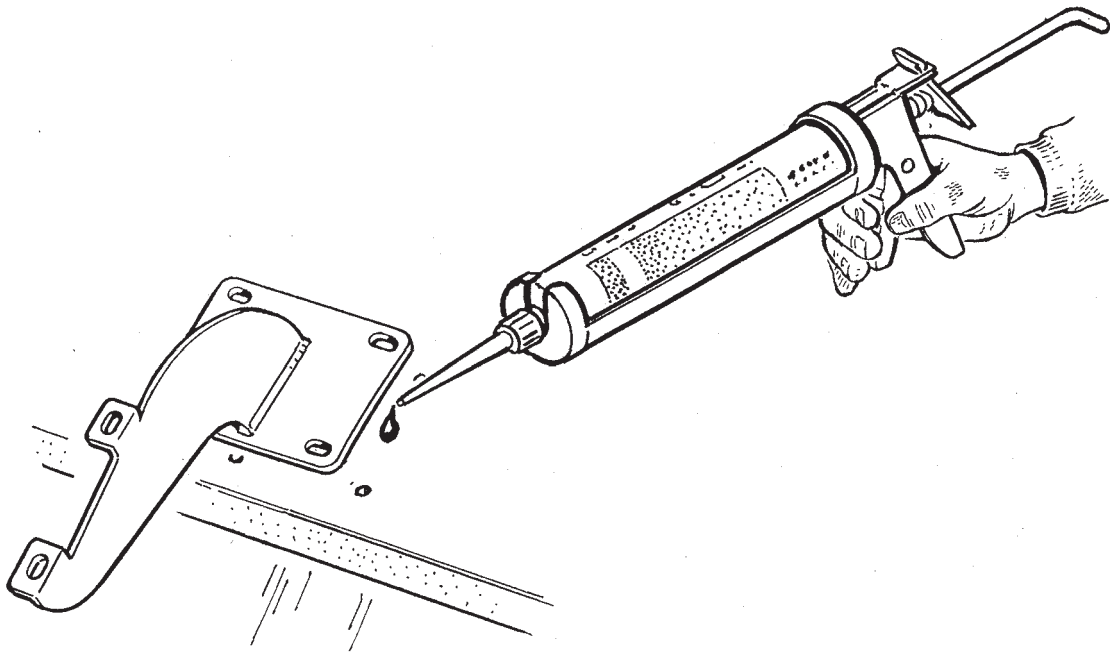


**5078 Renault premium Standard roof
5171 DAF LF / Renault Midlum
Fitting instructions.**

We advise you to put SIKAFLEX 221 or DURAMIX between the roof and middle bracket (not supplied with the kit).



5078

5171

- | | |
|--------------------------|--------|
| 1. Acrylicpart | 1 pc |
| 2. Center bracket | 3 pcs |
| 3. Rubber gasket | 12 pcs |
| 4. Rubber washer 40x9x22 | 4 pcs |
| 5. Screw M6x30mm | 6 pcs |
| 6. Cover collar | 10 pcs |
| 7. Rubber washer 6mm | 6 pcs |
| 8. Rubber washer 3mm | 6 pcs |
| 9. Washer 6x22mm | 18 pcs |
| 10. Nylok nut M6 | 6 pcs |
| 11. Rivet nut M6 | 16 pcs |
| 12. Hexacon screw M6x20 | 12 pcs |
| 13. Hexacon screw M6x45 | 4 pcs |
| 14. Cover hat | 10 pcs |

- | | |
|---------------------------|--------|
| 1. Acrylicpart | 1 pc |
| 2. Center bracket | 3 pcs |
| 3. Rubber gasket | 12 pcs |
| 4. Rubber washer 40x9x6 | 4 pcs |
| 5. Screw M6x30mm | 6 pcs |
| 6. Cover collar | 10 pcs |
| 7. Rubber washer 6mm | 6 pcs |
| 8. Rubber washer 3mm | 6 pcs |
| 9. Washer 6x18mm | 18 pcs |
| 10. Nylok nut M6 | 6 pcs |
| 11. Rivet nut M6 | 16 pcs |
| 12. Hexacon screw M6x20 | 12 pcs |
| 13. Hexacon screw M6x45 | 4 pcs |
| 14. Cover hat | 10 pcs |
| 15. Rubber washer 40x9x12 | 4 pcs |

