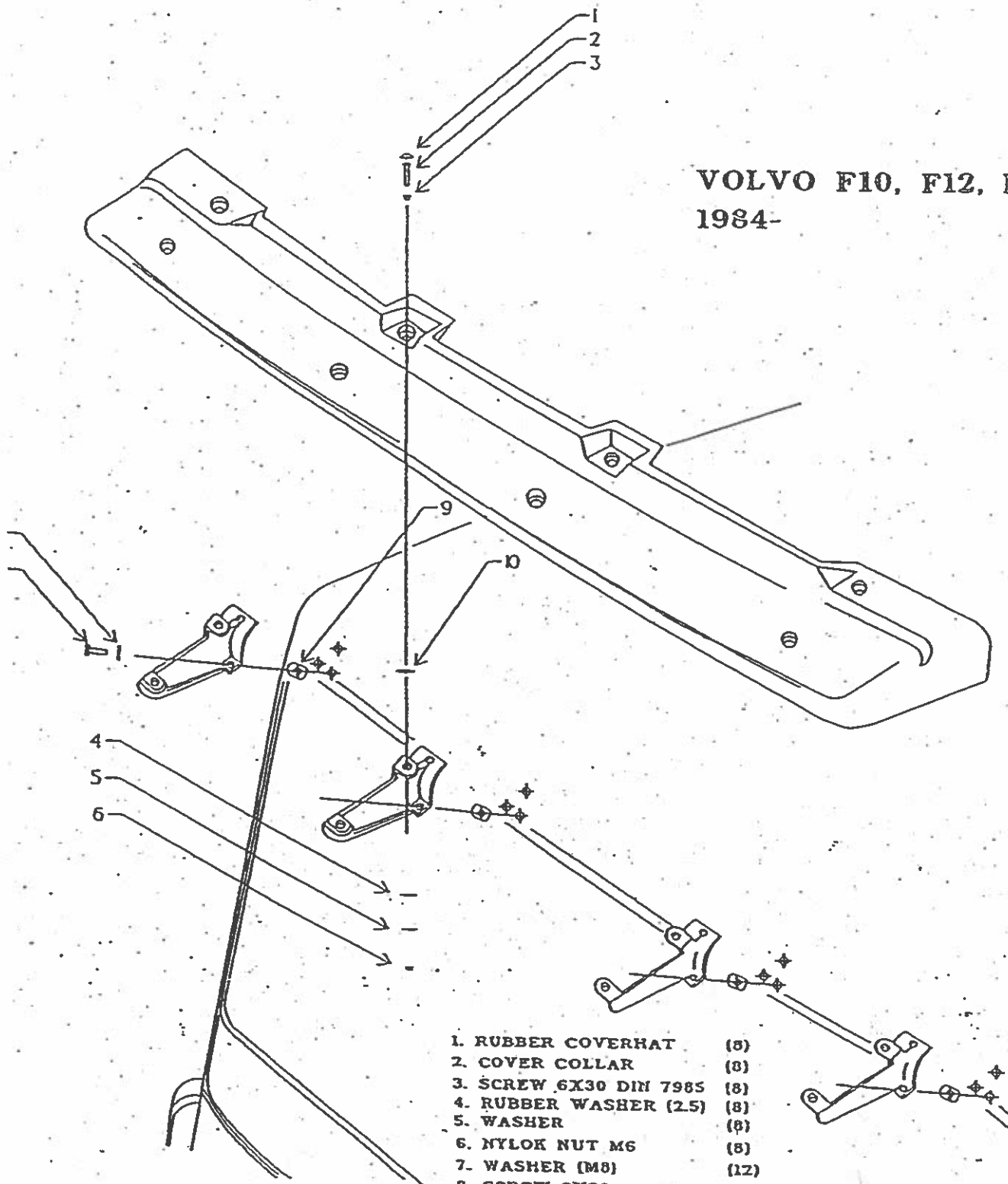


5055



VOLVO F10, F12, F16
1984-



- 1. RUBBER COVERHAT (8)
- 2. COVER COLLAR (8)
- 3. SCREW 6X30 DIN 7985 (8)
- 4. RUBBER WASHER (2.5) (8)
- 5. WASHER (8)
- 6. NYLOK NUT M6 (8)
- 7. WASHER (M8) (12)
- 8. SCREW 8X20 (12)
- 9. GASCET (12)
- 10. RUBBER WASHER (6.0) (8)