

Wheel Trims

Range Overview



"BOLT- ON" WHEEL TRIMS 22.5"



America Simulator rear 22.5"x8.25"
10 holes - PCD 335mm



America Simulator rear 22.5"x9.00"
10 holes - PCD 335mm



America Simulator rear
22.5"x11.75" Offset 0mm
10 holes - PCD 335mm



Super Single 22.5"x11.75"
Offset 130mm - Inset 30mm
(Scania, DAF, Renault, Iveco)



Super Single 22.5"x11.75"
Offset 120mm - Inset 40mm
(Volvo, MB, MAN, Iveco, Renault,
trailers)



Rear axle cover for 22.5"
wheels. Diameter 250mm,
height 165/210mm



America simulator front 22.5"
Fits 22.5"x8.25" and 22.5"x9.00"
standard front wheels
10 holes - PCD 335mm



Strengthening ring for
America Simulator rear 22.5"



America simulator front 22.5".
Fits 22.5"x8.25" and 22.5"x9.00".
Standard front wheels. 10
holes.

"LOCK-RING" WHEEL TRIMS 22.5"



Standard front 22.5"



Standard rear 22.5"



Standard front 19.5"

Standard front 17.5"



Deluxe front 22.5"



Deluxe rear 22.5"
Depth of wheeltrim : 77,5mm



Deluxe rear (extra deep) 22.5"
Depth of wheeltrim : 160mm



Rear liner 22.5"
Depth of wheeltrim : 130mm



Rear liner 22.5"
Depth of wheeltrim : 120mm



Wheel trim ring 22.5"
Depth of wheeltrim : 90mm

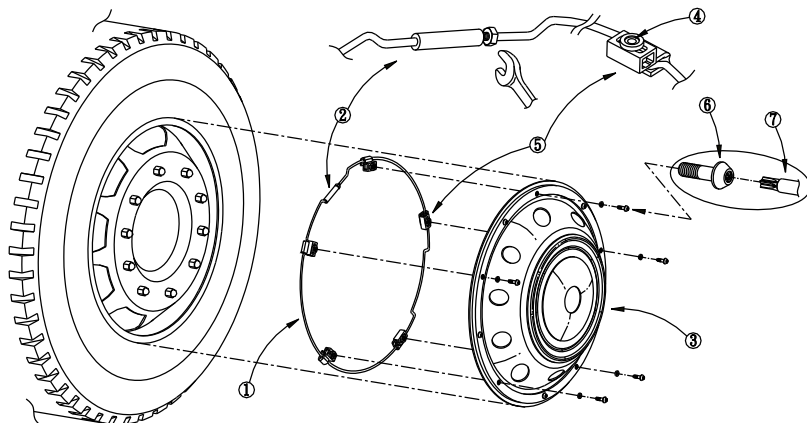
"LOCK-RING" WHEEL TRIMS 17.5 & 19.5"



Standard rear 19.5"

Standard rear 17.5"

"LOCK-RING" SYSTEM



Deluxe front 19.5"



Deluxe rear 19.5"
Depth of wheeltrim : 85mm



Deluxe rear (extra deep) 19.5"
Depth of wheeltrim : 150mm



Deluxe front 17.5"

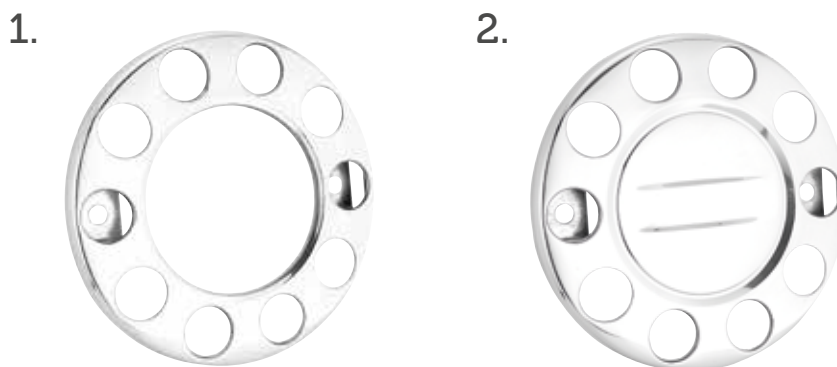


Deluxe rear 17.5"
Depth of wheeltrim : 60mm



Deluxe rear (extra deep) 17.5"
Depth of wheeltrim : 150mm

STAINLESS STEEL WHEEL-NUT PROTECTOR COVERS



Picture n°	Center	Wheelsize	Wheeltype	Number of holes	Pitch Circle Diameter
1	Open	22.5"	Alloy	10	335mm
2	Closed	22.5"	Alloy	10	335mm



Picture n°	DESCRIPTION
2	Set of screws for Lock-Ring system (bag of 10pcs)
3	Mounting block for Lock-Ring system 22.5", 17.5" & 19.5"
7	"Lock-Ring" mounting ring 22.5" (Without mounting block & screws)
6	"Lock-Ring" mounting ring 19.5" (Without screws, 4 blocks included)
5	"Lock-Ring" mounting ring 17.5" (Without screws, 3 blocks included)
4	Screwdriver for Lock-Ring system
1	Wheel nut cap removal tool