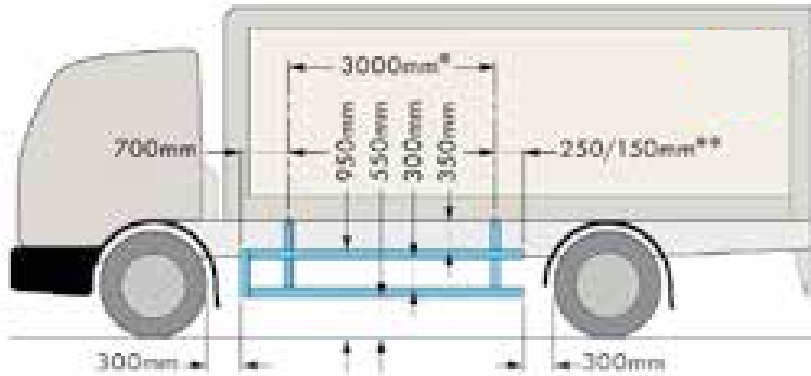
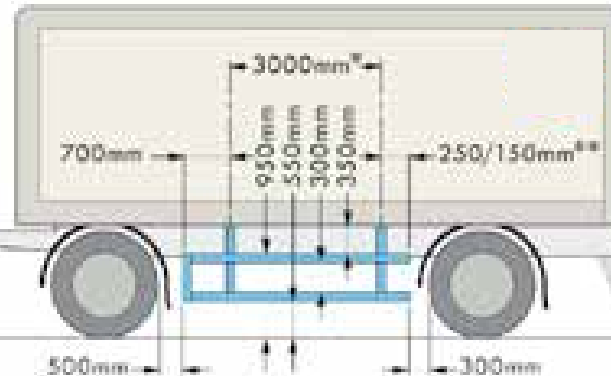


# Kuda Side Rail Mounting Requirements

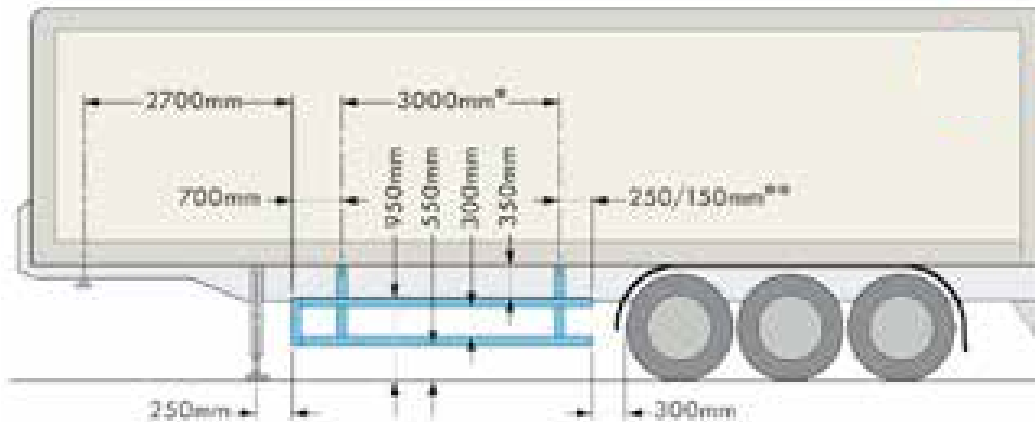
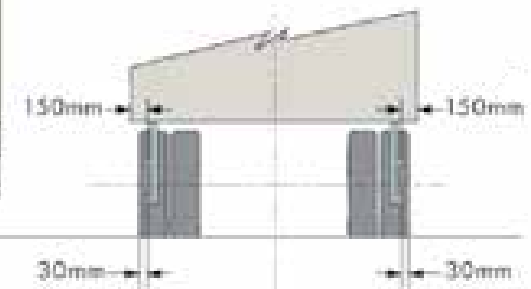
Class N2 – 3.5T to 12T DGWV  
Class N3 – over 12T DGWV



Class 03 – 3.5T to 10T TAW  
Class 04 – over 10T TAW



All vehicle classes



- \* A minimum of 3 legs will be required if the overall length of rail exceeds 3950mm (3850mm where the overall leg length exceeds 735mm)
- \*\* Please note: when overall leg exceeds 735mm, the rear-most over-hang MUST be reduced from 250 to 150mm

DGWV = Design Gross Vehicle Weight  
TAW = Total Axle Weight