

**MARKET LEADING FUEL SAVING FULL AIR KITS AND TOP SPOILERS FOR A LARGE RANGE OF TRUCKS**



# **iAM AERODYNAMIC KITS**



# FUEL SAVING FACTS



Running a high volume trailer with a "standard" blade adjusted could be costing you in excess of £3,500 per year, per truck in fuel.

Installing a Kuda High Volume air management kit to that vehicle will aid in eliminating the drag from the bulk head and save you money on fuel.

The High Volume AMK will pay for itself in as little as 25 weeks. In the first year you will have a potential saving of £1,900 per truck, and the air kit fully paid for!

## NO KUDA AMK INSTALLED

Tractor Trailer Set Up. No AMK  
With 4.6m Trailer

Average Fuel Consumption **9.00 MPG**

Total Miles Travelled By Vehicle In A Year **100,000**

Total gallons of Fuel Used Per Year **11,110**

Total Cost Of Fuel For A Year (Based On Cost of 7.94GBP per Gallon) **£88,213**

For Every 200mm Of Exposed Bulk Head, Your Fuel Consumption Could Increase by a HUGE 3%!

## KUDA AMK INSTALLED

Tractor Trailer Set Up of 4.5m AMK  
to 4.6m Trailer

Average Fuel Consumption **9.36 MPG**

Total Miles Travelled By Vehicle In A Year **100,000**

Total gallons of Fuel Used Per Year **10,666**

Total Cost Of Fuel For A Year (Based On Cost of 7.94GBP per Gallon) **£84,688**

Potential Savings Per Truck Per Year: **£3,525**

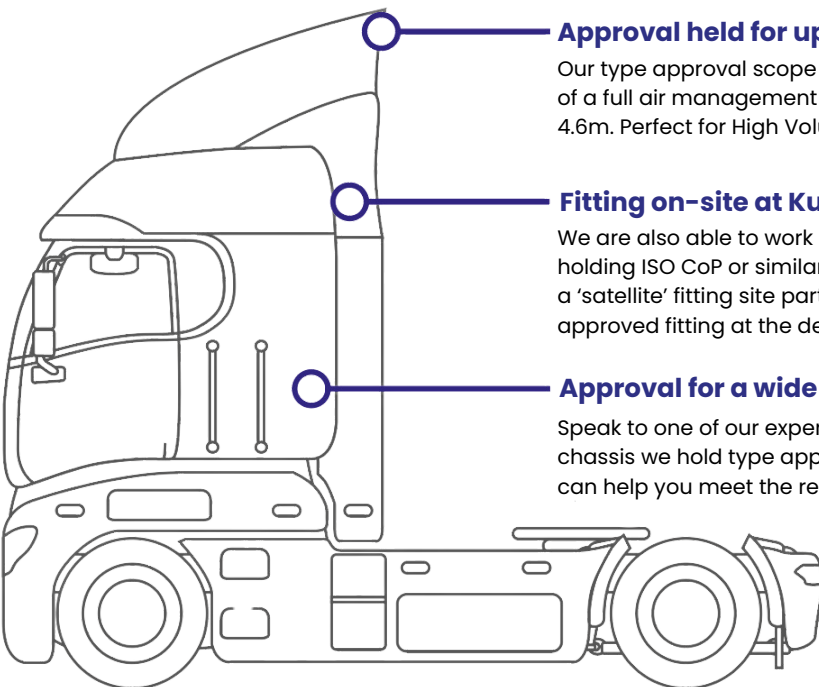


# TYPE APPROVAL

Speak to Our Experts, We Have You Covered!



Here at Kuda UK LTD, we are proud that we have been audited and approved by the VCA for CoP (Conformity of Production) clearance. This clearance enables us to offer fully type approved products and fitting services across a wide range of vehicles.



## Approval held for up to 4.6m

Our type approval scope covers the fitment of a full air management kit to a height of 4.6m. Perfect for High Volume Trailers.

## Fitting on-site at Kuda UK, Ipswich

We are also able to work closely with dealers, holding ISO CoP or similar clearance to achieve a 'satellite' fitting site partnership, enabling approved fitting at the dealers own premises.

## Approval for a wide range of trucks

Speak to one of our experts to find out which chassis we hold type approvals on and how we can help you meet the requirements.

The CoP Clearance just further reinforces the quality of our products and services; when you purchase from Kuda UK, you can rest assured that the product you receive has been manufactured under the highest standards and followed our strict Quality Control processes.

Our in-house type approval experts are able to advise on any questions you may have regarding the fitment of any of our products prior to registration and how this may effect a vehicles base approval.

## EMC Reg 10 Approvals

Microwaves ✓ Fridges ✓

Cameras ✓ Inverters ✓

Handbrake Alarms ✓

We are able to fit a huge range of electronic equipment covered under EMC Reg 10 as part of our NSSTA and Whole Vehicle Type Approval clearances.

So, if you need a microwave, fridge, dash cam, reversing alarm, or anything like it fitting to a vehicle prior to registration, we are likely to have you covered!

We are able to issue Stage 2 Certificates of Conformity for work carried out at our assembly plant here at Kuda for a wide range of vehicles and products.





**Our Market Leading, Super Sleek, Aerodynamic Range of Air Management Kits.**



**Our High Volume iAm Kits have been designed from the ground up to not only look great, but improve the aerodynamic properties of the vehicle like never before.**



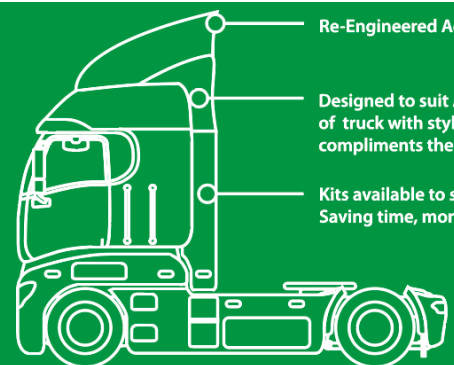
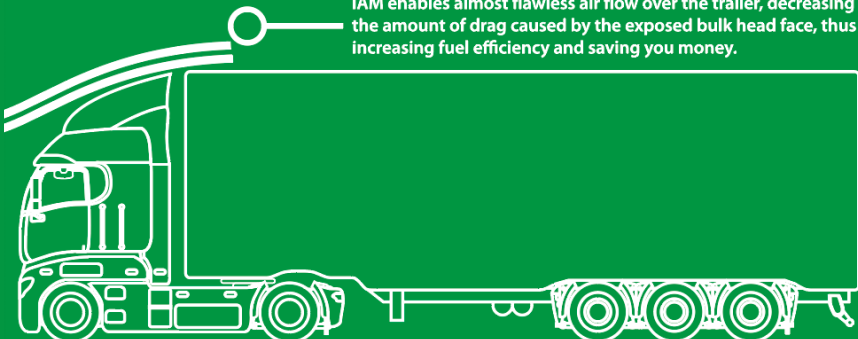
## Improved Air Management

Introducing iAM, our most advanced air management kit to date.

With over 30 years of experience in the commercial vehicle aerodynamic industry our team of engineers have combined our already highly efficient air management kits with a totally re-engineered design, producing what we believe to be one of the industries best looking fuel saving devices.

iAM has been designed from the ground up with optimum fuel efficiency in mind, while keeping the all important cost of the kit down. iAM's new shape enables it to be fitted to almost any truck easily and quickly. iAM can be used with existing factory equipment or supplied as a full kit. Picking up off of existing factory fixing points enables us to drive down iAM's fitting time while also keeping structural integrity.

iAM enables almost flawless air flow over the trailer, decreasing the amount of drag caused by the exposed bulk head face, thus increasing fuel efficiency and saving you money.



Re-Engineered Aerodynamic Shape

Designed to suit Almost Every Make of truck with styling which compliments the vehicle design.

Kits available to suit factory uprights Saving time, money and fitting costs.



# LaserEye

Automatic Spoiler Adjustment

## 100% Automatic Roof Spoiler Adjustment

- Zero driver input required
- Live angle adjustment
- Easy to fit
- No need to climb up the back of the cab
- Fully supported warranty
- Fitting service available

## How Does LaserEye Work?

1.



Reverse vehicle towards trailer as normal. LaserEye will automatically start looking for the trailer.

2.



Once LaserEye detects the trailer, it will automatically adjust the spoiler to the optimum height.

3.



Once LaserEye detects the trailer, it will automatically adjust the spoiler to the optimum height.

4.



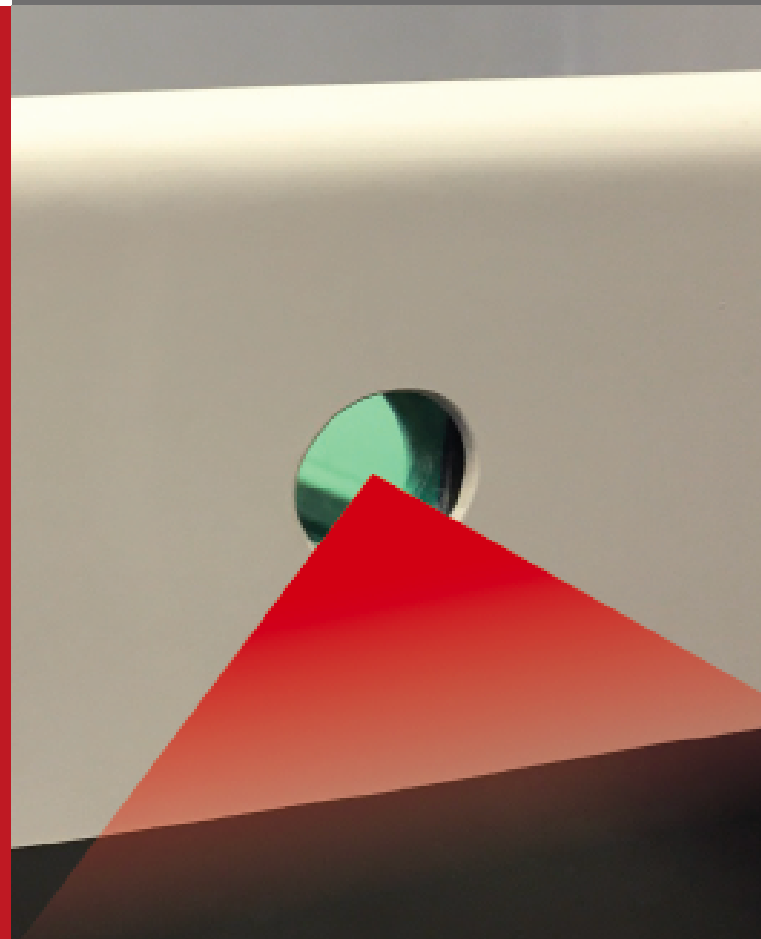
Decouple the trailer and LaserEye will lower the spoiler

Introducing LaserEye, our revolutionary truck spoiler automatic adjustment system. 100% auto-adjustment, 100% of the time. Guaranteed to help you save money on your fuel bill!

Our technical development team have been hard at work perfecting our revolutionary spoiler system, LaserEye. LaserEye is designed to make saving you money on your annual fuel bill as easy as possible. By removing the need for the driver to adjust the roof deflector, LaserEye is able to guarantee that the optimum spoiler height and angle will be set for every trip your vehicle makes.

With LaserEye, there is no need for any driver input when adjusting the spoiler- just reverse the vehicle up to the trailer and LaserEye takes care of the rest, adjusting the spoiler to the correct height.

With the complete LaserEye system starting at just £1,200 exc. VAT, the kit is affordable and can be fitted to any of our adjustable air management kits, or retro-fitted to any adjustable spoiler system from almost all manufacturers.

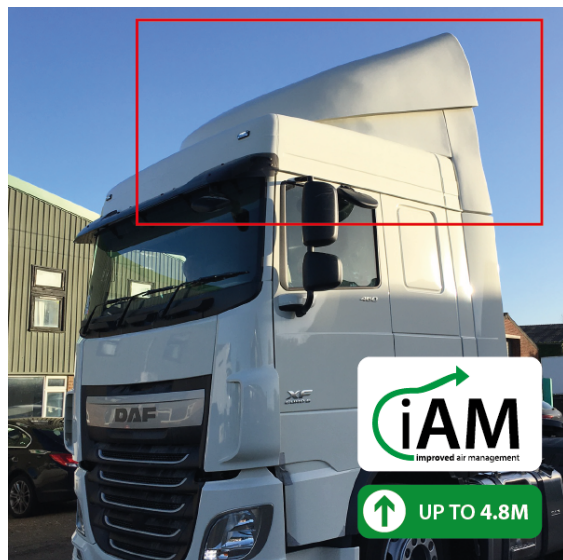


# TABLE OF CONTENTS

**7-8..... For DAF**  
**9..... For Iveco**  
**10-16..... For MAN**  
**17-21..... For Mercedes**  
**22-26..... For Renault**  
**27..... For Scania**







## **iAM To Suit DAF XF 106 Space Cab, High Volume AMK To Suit Factory Uprights**

**Part Number - 103DAFXFSC-TOP**

Supplied as standard in DAF White. Can be produced in any solid RAL colour.

Comes supplied in kit form with all brackets and fixings.

Top section only.



## **iAM To Suit DAF LF Day Full Spoiler & Collar Kit**

**Part Number - 103LD20LD21**

Adjustable Top Spoiler, Base & Collar Kit to suit the DAF LF 45/55 Day Cab.

Supplied in DAF White.

WITH COLLARS.

All Fittings Included.



## **iAM To Suit Renault Midlum Low Roof Slp Adj Spoiler & Base**

**Part Number - 103LD24**

Adjustable Top Spoiler & Base to suit the Renault Midlum Low Roof Sleeper cab.

Supplied in Renault White. All fittings supplied.



## **iAM To Suit DAF LF 45 55 Day Adj Top Spoiler & Base**

**Part Number - 103LD20**

Adjustable Top Spoiler & Base to suit the DAF LF 45/55 Day Cab. Please be aware this kit is supplied rubbed down for paint.

Supplied in DAF White.

NO COLLARS.

All Fittings Included.





## **iAM Iveco Eurocargo Low Roof Sleeper – Top Spoiler**

**Part Number – 103IVEC-TOP**

Supplied as standard in Iveco White. Can be produced in any solid RAL colour.

Comes supplied in kit form with all brackets and fixings.

Top section only.



## **iAM Iveco Eurocargo Low Roof Sleeper – Full Air Management Kit**

**Part Number – 103IVECR**

Supplied as standard in MAN White. Can be produced in any solid RAL colour.

Comes supplied in kit form with all brackets and fixings.



## **iAM MAN TG3 / TG2 TGS / TGM, TN / L Cab Top Spoiler**

**Part Number - 103MANTGSTOP**

Supplied as standard in MAN White. Can be produced in any solid RAL colour.

Comes supplied in kit form with all brackets and fixings.

Top section only.



## **iAM MAN TG3 TGS, TGM, TGL TM Cab. Blade Only.**

**Part Number - 103MANTGTMB**

Supplied as standard in MAN White. Can be produced in any solid RAL colour.

Comes supplied in kit form with all brackets and fixings.

Blade Only.



## **iAM MAN TGX XLX High Volume. Blade Only.**

**Part Number - 103MANXLXB**

Supplied as standard in MAN White. Can be produced in any solid RAL colour.

Comes supplied in kit form with all brackets and fixings.

Blade Only.





## **iAM MAN TGS L Cab High. Blade Only.**

**Part Number - 103MANTGSB**

Supplied as standard in MAN White. Can be produced in any solid RAL colour.

Comes supplied in kit form with all brackets and fixings.

Blade Only.



## **iAM MAN TGX XXL Cab High. Blade Only.**

**Part Number - 103MANXXLB**

Supplied as standard in MAN White. Can be produced in any solid RAL colour.

Comes supplied in kit form with all brackets and fixings.

Blade Only.



## **iAM MAN TG3 TGX GM Cab High. Blade Only.**

**Part Number - 103MANGMB**

Supplied as standard in MAN White. Can be produced in any solid RAL colour.

Comes supplied in kit form with all brackets and fixings.

Blade Only.



## **iAM MAN TG3 TGS, TGM, TGL, TN Cab High. Blade Only**

**Part Number - 103MANTGSBTN**

Supplied as standard in MAN White. Can be produced in any solid RAL colour.

Comes supplied in kit form with all brackets and fixings.

Blade Only.



## **iAM MAN TGX XXL Cab High Volume Air Management Kit. To Suit Factory uprights.**

**Part Number - 103MANXXL-TOP**

Supplied as standard in MAN White. Can be produced in any solid RAL colour.

Comes supplied in kit form with all brackets and fixings.

Top Section Only.



## **iAM MAN TG3 TGX GM Cab High Volume AMK. To Suit Factory Uprights**

**Part Number - 103MANGM-TOP**

Supplied as standard in MAN White. Can be produced in any solid RAL colour.

Comes supplied in kit form with all brackets and fixings.

Top Section Only.



## **iAM MAN TG3 TGS, TGM, TGL TM Cab Volume Air Management Kit - To suit factory uprights.**

**Part Number- 103MANTGSTM-TOP**

Supplied as standard in MAN White. Can be produced in any solid RAL colour.

Comes supplied in kit form with all brackets and fixings.

Top Section Only.



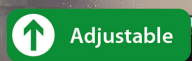
## **iAM MAN TG3 TGS, TGM, TGL TN Cab High Volume Air Management Kit - to suit factory uprights.**

**Part Number - 103MANTGSTN-TOP**

Supplied as standard in MAN White. Can be produced in any solid RAL colour.

Comes supplied in kit form with all brackets and fixings.

Top Section Only.



## **iAM MAN TGX XLX High Volume AMK. To Suit Factory Uprights**

**Part Number - 103MANXLX-TOP**

Supplied as standard in MAN White. Can be produced in any solid RAL colour.

Comes supplied in kit form with all brackets and fixings.

Top Section Only.





## **iAM MAN TGX XLX High Volume Air Management Kit. Full kit.**

**Part Number – 103MANXLX**

Supplied as standard in MAN White. Can be produced in any solid RAL colour.

Comes supplied in kit form with all brackets and fixings.



## **iAM MAN TGS L Cab High Volume Air Management Kit. Full kit.**

**Part Number – 103MANTGS**

Supplied as standard in MAN White. Can be produced in any solid RAL colour.

Comes supplied in kit form with all brackets and fixings.



## **iAM MAN TGX XXL Cab High Volume Air Management Kit. Full kit.**

**Part Number – 103MANXXL**

Supplied as standard in MAN White. Can be produced in any solid RAL colour.

Comes supplied in kit form with all brackets and fixings.



## **iAM MAN TG3 TGX GM Cab High Volume Air Management Kit. Full kit.**

**Part Number – 103MANGM**

Supplied as standard in MAN White. Can be produced in any solid RAL colour.

Comes supplied in kit form with all brackets and fixings.



## **iAM MAN TG3 TGS, TGM TM Cab Volume Air Management Kit. Full Kit.**

**Part Number – 103MANTGSTMF**

Supplied as standard in MAN White. Can be produced in any solid RAL colour.

Comes supplied in kit form with all brackets and fixings.



## **iAM MAN TG3 TGM, TGL TM Cab Full Kit. Shorter Uprights.**

**Part Number – 103MANTGMTM**

Supplied as standard in MAN White. Can be produced in any solid RAL colour.

Comes supplied in kit form with all brackets and fixings.



## **iAM MAN TG3 TGS TN Cab High Volume Air Management Kit. Full kit**

**Part Number – 103MANTGSTN**

Supplied as standard in MAN White. Can be produced in any solid RAL colour.

Comes supplied in kit form with all brackets and fixings.



## **iAM MAN TG3 TGM, TGL TN Cab High Volume Air Management Kit. Full kit – Short Uprights**

**Part Number – 103MANTGMLTN**

Supplied as standard in MAN White. Can be produced in any solid RAL colour.

Comes supplied in kit form with all brackets and fixings.





## **iAM Mercedes Actros 4 and 5 ClassicSpace L Cab, 320mm Tunnel Fridge Top Spoiler**

**Part Number - 103MBACCL-FRIDGE**

Supplied as standard in Mercedes White. Can be produced in any solid RAL colour.

Comes supplied in kit form with all brackets and fixings.

Top Section Only.



## **iAM Mercedes Actros 4 and 5 ClassicSpace L Cab, 320mm Tunnel Top Spoiler**

**Part Number - 103MANTGMLTN**

Supplied as standard in Mercedes White. Can be produced in any solid RAL colour.

Comes supplied in kit form with all brackets and fixings.

Top Section Only



## **iAM Mercedes Actros 4 and 5 BigSpace High Volume. Blade Only.**

**Part Number - 103MBACBSB**

Supplied as standard in Mercedes White. Can be produced in any solid RAL colour.

Comes supplied in kit form with all brackets and fixings.

Blade Only



## **iAM Mercedes Actros 4 and 5 StreamSpace Narrow (2.3m). Blade Only.**

**Part Number - 103MBACSSNB**

Supplied as standard in Mercedes White. Can be produced in any solid RAL colour.

Comes supplied in kit form with all brackets and fixings.

Blade Only.



## **iAM Mercedes Actros 4 and 5 StreamSpace Wide (2.5m). Blade Only.**

**Part Number - 103MBACSSWB**

Supplied as standard in Mercedes White. Can be produced in any solid RAL colour.

Comes supplied in kit form with all brackets and fixings.

Blade Only.



## **iAM Mercedes Actros 4 and 5 ClassicSpace (320mm Engine Tunnel). Blade Only.**

**Part Number - 103MBACCL320B**

Supplied as standard in Mercedes White. Can be produced in any solid RAL colour.

Comes supplied in kit form with all brackets and fixings.

Blade Only





## **iAM Mercedes Actros 4 StreamSpace Narrow (2.3m) High Volume AMK. To Suit Actros 4 Factory Uprights only.**

**Part Number - 103MBASSN-TOP**

Supplied as standard in Mercedes White. Can be produced in any solid RAL colour.

Comes supplied in kit form with all brackets and fixings.

Top Section Only.



## **iAM Mercedes Actros 4 StreamSpace Wide (2.5m) High Volume AMK. To Suit Actros 4 Factory Uprights only.**

**Part Number - 103MBASSW-TOP**

Supplied as standard in Mercedes White. Can be produced in any solid RAL colour.

Comes supplied in kit form with all brackets and fixings.

Top Section Only.



## **iAM Mercedes Actros 4 BigSpace High Volume AMK. To Suit Actros 4 Factory Uprights only.**

**Part Number - 103MBACBS-TOP**

Supplied as standard in Mercedes White. Can be produced in any solid RAL colour.

Comes supplied in kit form with all brackets and fixings.

Top Section Only.



## **iAM Mercedes Actros 4 and 5 BigSpace High Volume Air Management Kit. Full kit.**

**Part Number - 103MBACBS**

Supplied as standard in Mercedes White. Can be produced in any solid RAL colour.

Comes supplied in kit form with all brackets and fixings.



## **iAM Mercedes Actros 4 and 5 StreamSpace Narrow (2.3m) High Volume Air Management Kit. Full kit.**

**Part Number - 103MBACSSN**

Supplied as standard in Mercedes White. Can be produced in any solid RAL colour.

Comes supplied in kit form with all brackets and fixings.



## **iAM Mercedes Actros 4 and 5 StreamSpace Wide (2.5m) High Volume Air Management Kit. Full kit.**

**Part Number - 103MBACSSW**

Supplied as standard in Mercedes White. Can be produced in any solid RAL colour.

Comes supplied in kit form with all brackets and fixings.





## **iAM Mercedes Actros 4 and 5 ClassicSpace (320mm Engine Tunnel) High Volume Air Management Kit. Full kit.**

**Part Number - 103MBACCL320**

Supplied as standard in Mercedes White. Can be produced in any solid RAL colour.

Comes supplied in kit form with all brackets and fixings.



## **iAM Renault T / C Range, Day Cab, Low Roof - Top Spoiler**

**Part Number - 103REND-TOP**

Supplied as standard in Renault White. Can be produced in any solid RAL colour.

Comes supplied in kit form with all brackets and fixings.

Top Section Only.



## **iAM Renault D Range Day WIDE Cab Top Spoiler - To Suit Factory Uprights**

**Part Number - 103RENDI-TOP**

Supplied as standard in Renault White. Can be produced in any solid RAL colour.

Comes supplied in kit form with all brackets and fixings.

Top Section Only.



## **iAM Renault T Range High Volume. Blade Only.**

**Part Number - 103RENTHIGHB**

Supplied as standard in Renault White. Can be produced in any solid RAL colour.

Comes supplied in kit form with all brackets and fixings.

Blade Only.



## **iAM Renault T Range Night / Day / Low Roof Sleeper, High Volume. Blade Only.**

**Part Number - 103RENTLOWB**

Supplied as standard in Renault White. Can be produced in any solid RAL colour.

Comes supplied in kit form with all brackets and fixings.

Blade Only.



## **iAM Renault T-High, Flat Floor Sleeper, High. Blade Only.**

**Part Number - 103RENTHB**

Supplied as standard in Renault White. Can be produced in any solid RAL colour.

Comes supplied in kit form with all brackets and fixings.

Blade Only.



## **iAM Renault T-High, Flat Floor Sleeper, High Volume Air Management Kit. To Suit Factory uprights.**

**Part Number - 103RENTH-TOP**

Supplied as standard in Renault White. Can be produced in any solid RAL colour.

Comes supplied in kit form with all brackets and fixings.

Top Section Only.





## **iAM Renault T Range High Volume Air Management Kit. To Suit Factory uprights.**

**Part Number - 103RENTHIGH-TOP**

Supplied as standard in Renault White. Can be produced in any solid RAL colour.

Comes supplied in kit form with all brackets and fixings.

Top Section Only.



## **iAM Renault T Range Night / Day Cab High Volume AMK. To Suit Factory uprights.**

**Part Number - 103RENTLOW-TOP**

Supplied as standard in Renault White. Can be produced in any solid RAL colour.

Comes supplied in kit form with all brackets and fixings.

Top Section Only.



## **iAM Renault T / C Range, Day Cab, Low Roof - Full Air Management Kit**

**Part Number - 103REND**

Supplied as standard in Renault White. Can be produced in any solid RAL colour.

Comes supplied in kit form with all brackets and fixings.



## **iAM Renault D Range, Day Cab Full Air Management Kit, with Collars**

**Part Number - 103LD1800**

Supplied as standard in Renault White. Can be produced in any solid RAL colour.

Comes supplied in kit form with all brackets and fixings.



## **iAM Renault T Range Low Roof High Volume Full Air Management Kit - Narrow Supports**

**Part Number - 103RENTLOW**

Supplied as standard in Renault White. Can be produced in any solid RAL colour.

Comes supplied in kit form with all brackets and fixings.



## **iAM Renault T Range High Volume Air Management Kit. Full kit.**

**Part Number - 103RENTHIGH**

Supplied as standard in Renault White. Can be produced in any solid RAL colour.

Comes supplied in kit form with all brackets and fixings.



## **iAM Renault T-High, Flat Floor Sleeper, High Volume Air Management Kit. Full kit.**

**Part Number - 103RENTH**

Supplied as standard in Renault White. Can be produced in any solid RAL colour.

Comes supplied in kit form with all brackets and fixings.





## **iAM Scania P Cab Sleeper – Top Spoiler**

**Part Number – 103SCANP-TOP**

Supplied as standard in Scania White. Can be produced in any solid RAL colour.

Comes supplied in kit form with all brackets and fixings.



## **iAM Scania P Series Day Cab Fridge Top Spoiler**

**Part Number –103SCANP-FRIDGE**

Supplied as standard in Scania White. Can be produced in any solid RAL colour.

Comes supplied in kit form with all brackets and fixings.



## **iAM Scania P Next Gen CP20N Sleeper Cab – Top Spoiler**

**Part Number –103SCANPNGT-TOP**

Supplied as standard in Scania White. Can be produced in any solid RAL colour.

Comes supplied in kit form with all brackets and fixings.





***iAM Air Management Kits Are Sleek  
And Stylish, All While Saving You  
Money On Fuel***

See how much you can save with an iAM AMK.



Distributed By



 **MADE IN BRITAIN**