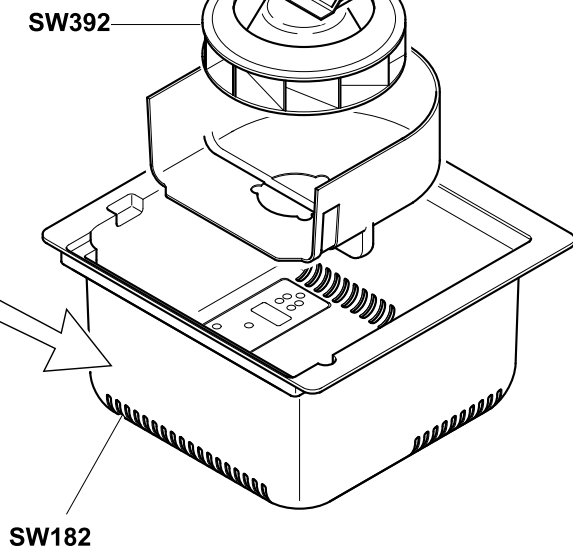
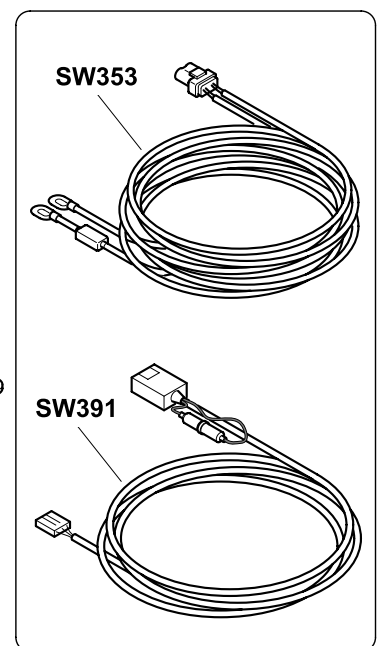
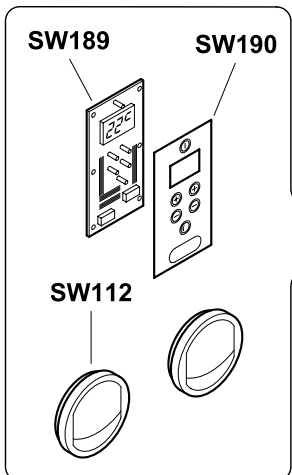
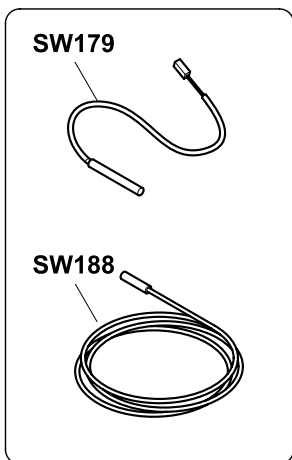
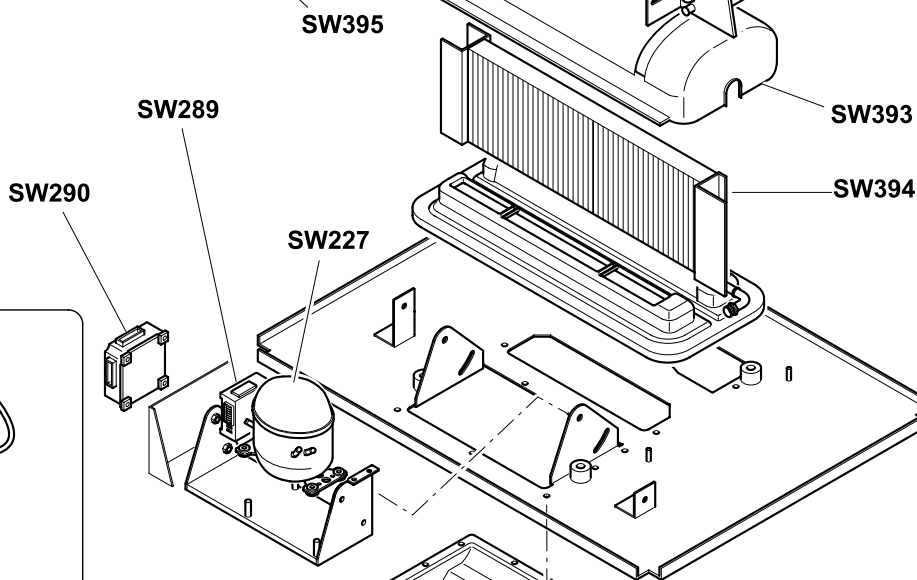
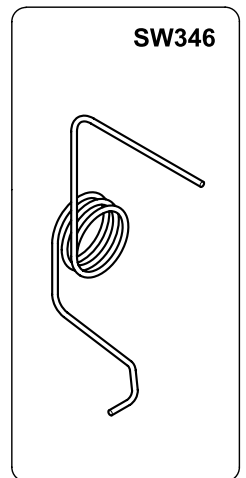
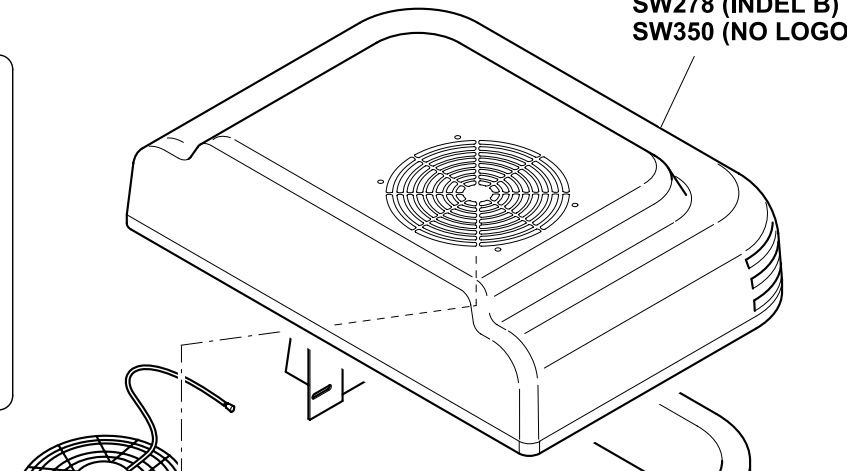
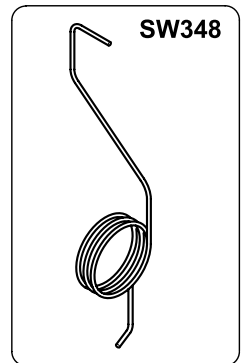
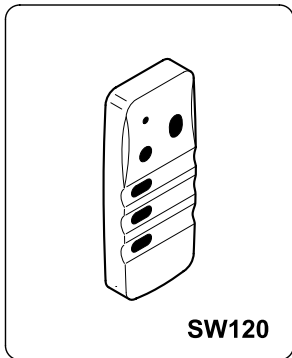


SW OBLO 12V

indelB

SW278 (INDEL B)
SW350 (NO LOGO)



INDEL B P/N	DESCRIPTION
SW227	Compressor
SW112	Air Louver
SW120	Remote Control
SW392	Evaporator Blower
SW179	Shut-down Tilting System
SW353	Power Supply Cord
SW391	Communication Harness
SW182	Air Diffuser
SW395	Condenser Fan
SW188	Temperature Probe
SW189	Control Panel
SW394	Evaporator
SW393	Condenser
SW278	Air conditioning for porthole cover (IndelB)
SW350	Air conditioning for porthole cover (No Logo)
SW289	ECU
SW290	ECU
SW346	Hose from compressor to Condenser
SW348	Hose from compressor to Evaporator
SW349	Display Label