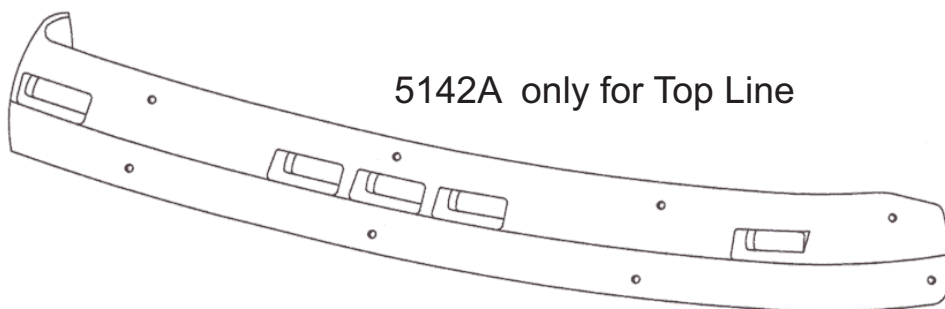
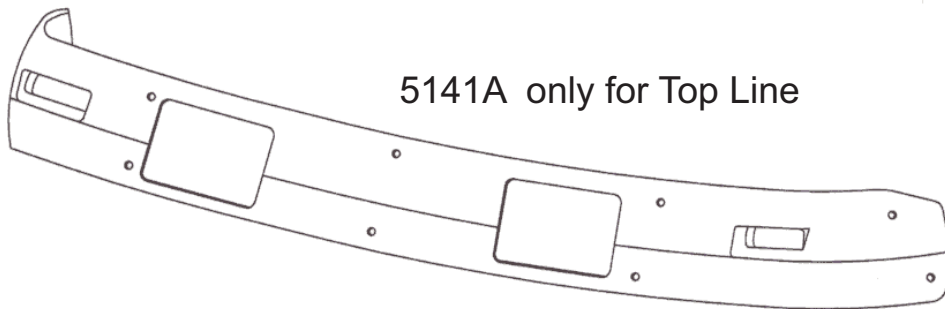
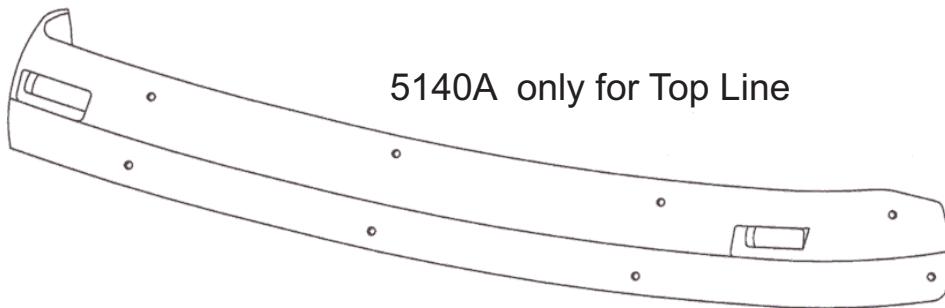
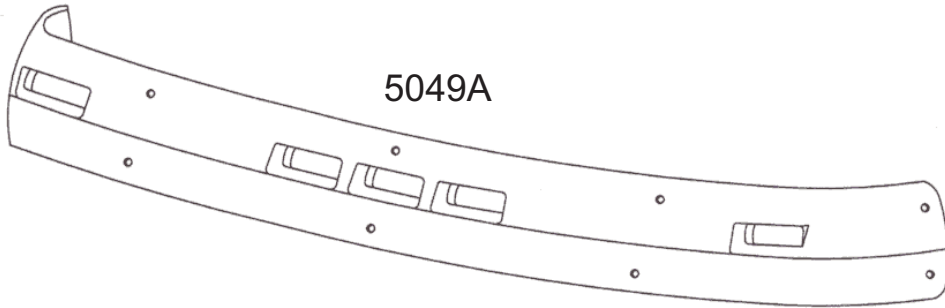
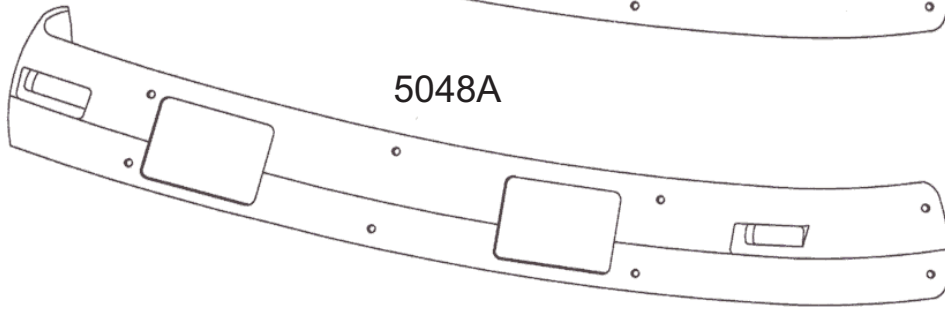
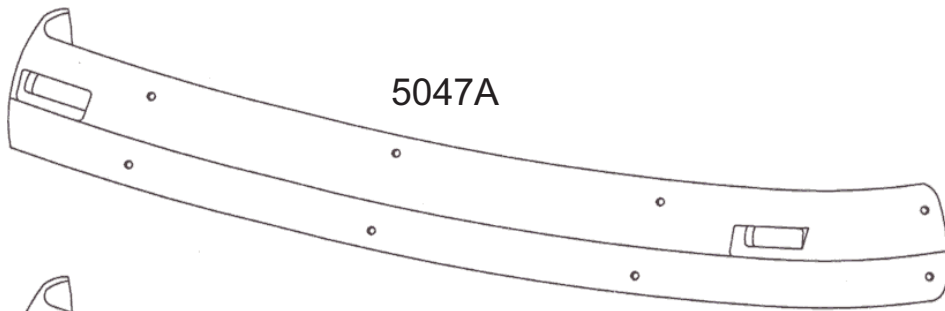




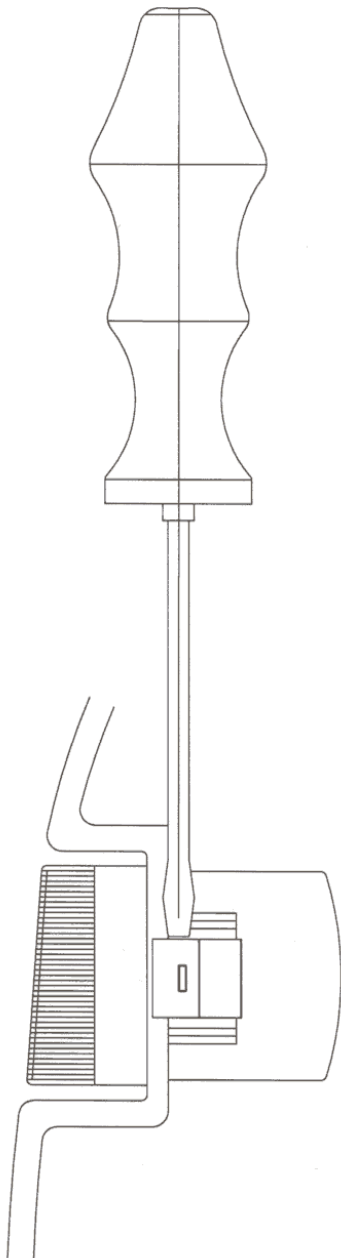
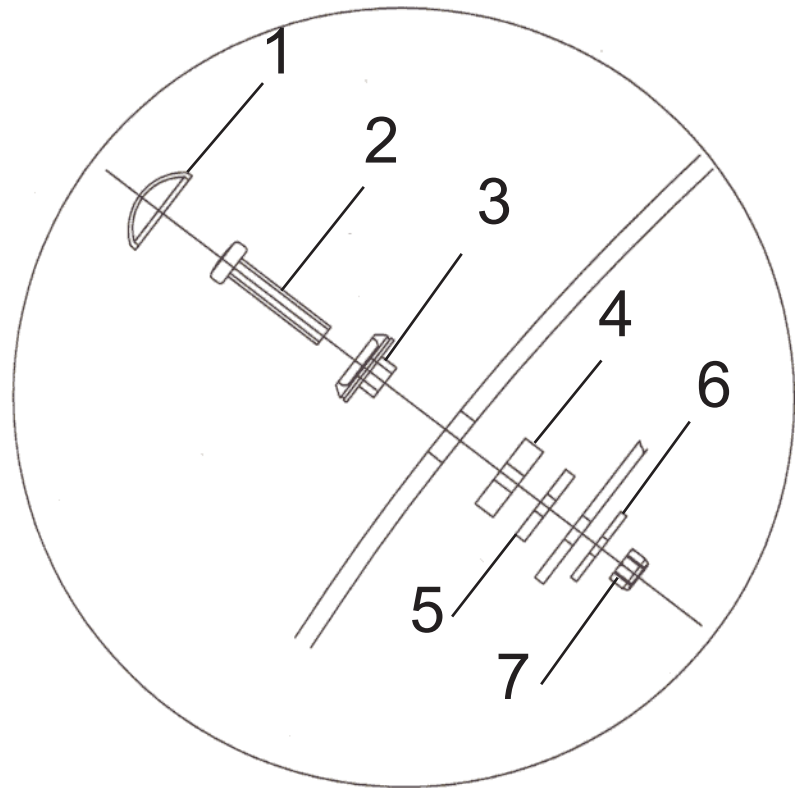
VEPRO OY

SCANIA 4 / R -serie sun visor mounting instructions



Mount the acrylic part on the brackets with the screws supplied together with the acrylic part, according to the drawing below.

1. Cover hat
2. Screw M6x30mm
3. Cover collar
4. Rubber washer 6mm
5. Rubber washer 3mm
6. Washer
7. Nylok nut M6



After you have mounted the acrylic part on the truck, press the marker lights (and truck lights if model 5049A) on the acrylic part. To ensure the marker light is correctly mounted on the acrylic part, check that the mounting clamps of the marker light are locked, if not open the clamps with screw driver as shown on the drawing.

Note: If the clamps are not locked, the marker light may fall down from the acrylic part!